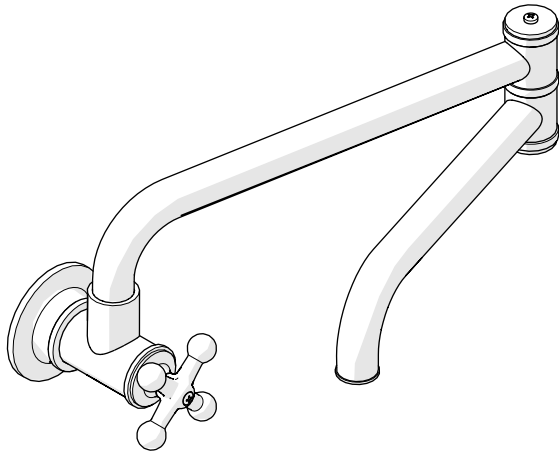


INSTALLATION GUIDELINES

ARTICULATED POT FILLER

DASH WALL MOUNTED ARTICULATED POT FILLER WITH METAL CROSS HANDLE



STYLE
DSPF01

IMPORTANT:

- To ensure this product is installed properly, you must read and follow these guidelines.
- The owner/user of this product must keep this information for future reference.
- This product must be installed by a professional licensed contractor.
- Be sure your installation conforms to all federal, state, and local codes. In the State of Massachusetts, all installations must comply with the rules and regulations set forth within 248 CMR.
- Inspect this product to ensure you have all the parts required for proper installation. Product is **sold partially** assembled but shown fully disassembled for illustrative and service purposes only.
- Use only a strap wrench or protected/smooth-jaw wrench on any finished surface.
- The use of certain plumber's putty may stain stone or tile surfaces.
- If further assistance is required, please contact Product Support at 1-800-927-2120 Monday through Friday, 8am - 6pm EST.
- Refer to the separate Service Parts Documents for available replacement parts.

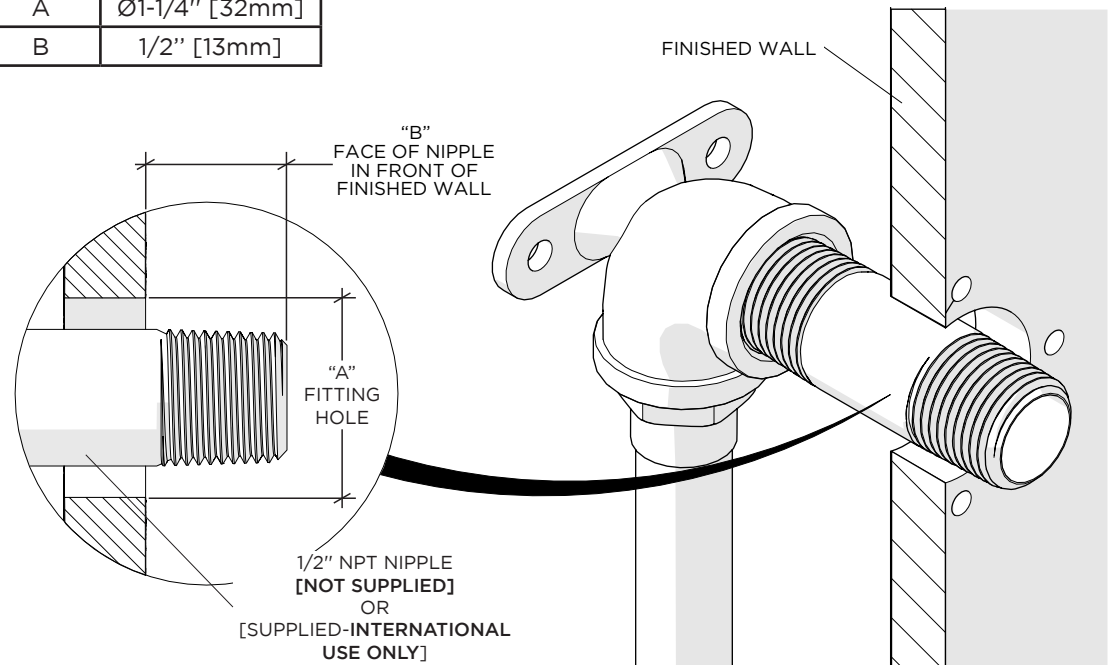
TECHNICAL DETAILS:

DETAIL	SPECIFICATION
FITTING HOLE DIAMETER	Ø1-1/4" [32mm]
HANDLE TURN ANGLE	QUARTER TURN
INLET CONNECTION	1/2" FEMALE NPT †
SPOUT SWIVEL	YES
WATER PRESSURE RANGE	20psi [1.5 bar] MINIMUM
	85psi [6.0 bar] MAXIMUM
WATER PRESSURE RECOMMENDED	45psi [3.0 bar]

ROUGH-IN:

- Determine the ideal location based on the client's preference and rough-in a wall supported 1/2" NPT NIPPLE (**not supplied**).
- Adequate blocking in the wall is required to support inlet supply and MOUNTING HARDWARE.

DIM	VALUE
A	Ø1-1/4" [32mm]
B	1/2" [13mm]

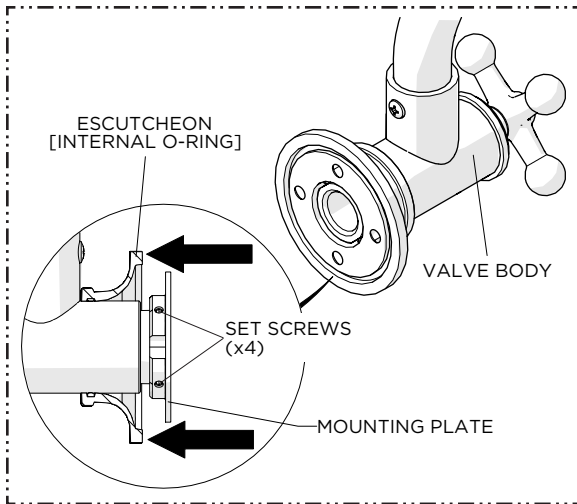


† For **INTERNATIONAL USE ONLY**, a 1/2" NPT Male x 1/2" BSPP Male ADAPTER (STYLE No. UNUK04) is provided. The BSPP end of the ADAPTER may be field cut.

INSTALLATION GUIDELINES

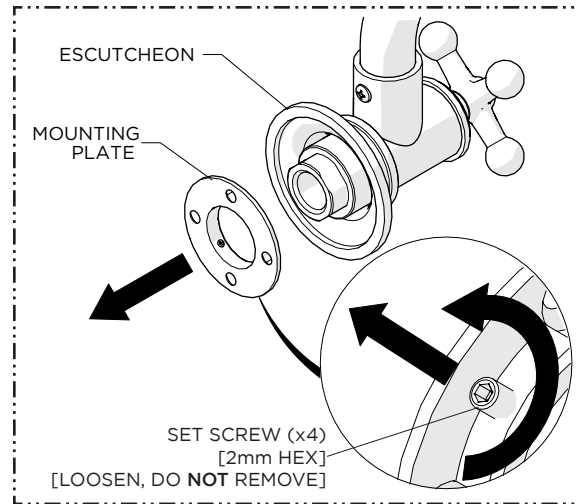
ARTICULATED POT FILLER

WATERWORKS

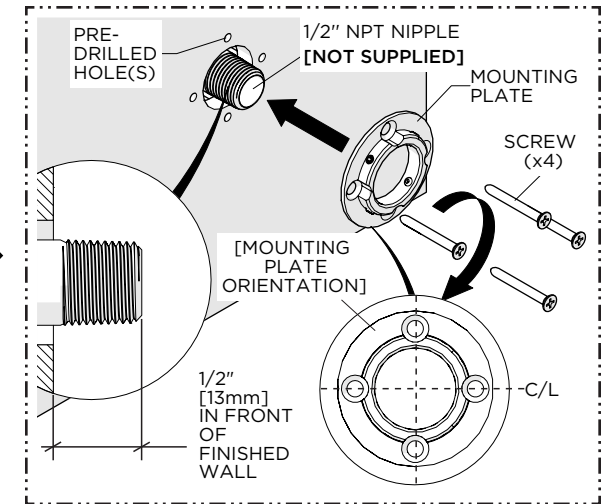


1. Slide the ESCUTCHEON against the VALVE BODY to expose the SET SCREWS.

NOTE: Do **NOT** remove the O-RING from the ESCUTCHEON.

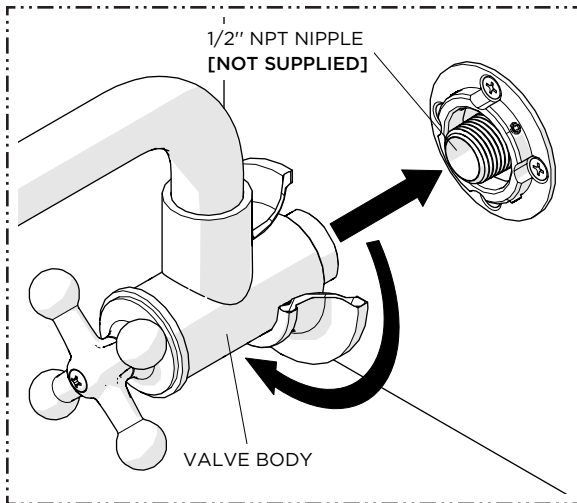


2. Loosen, but do **NOT** remove, the SET SCREWS (x4) using a 2mm HEX KEY and remove the MOUNTING PLATE.

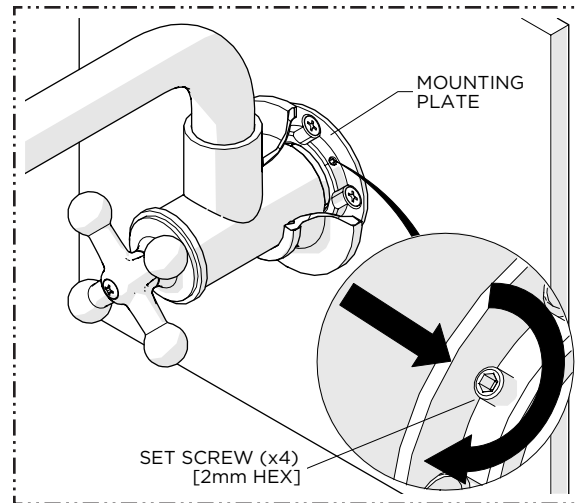


3. Ensure the NIPPLE (**not supplied**) protrudes 1/2" [13mm] in front of the FINISHED WALL then install the MOUNTING PLATE, in the proper orientation, using the SCREWS (x4) provided.

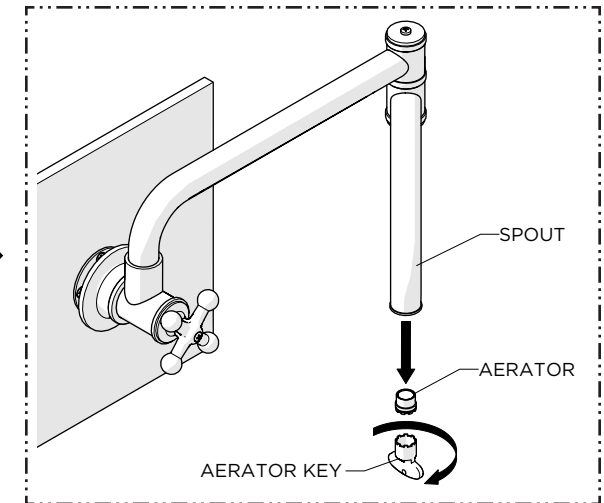
NOTE: Adequate **BLOCKING** required.



4. Thread and securely tighten the VALVE BODY onto the NIPPLE (**not supplied**) until snug.



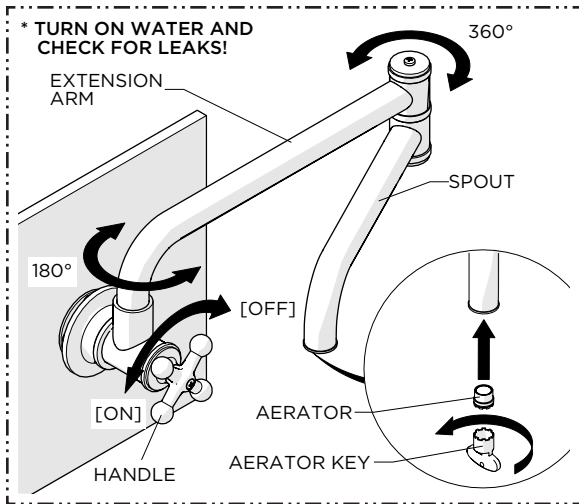
5. Securely tighten the SET SCREWS on the MOUNTING PLATE using a 2mm HEX KEY to secure the SPOUT and prevent it from rotating.



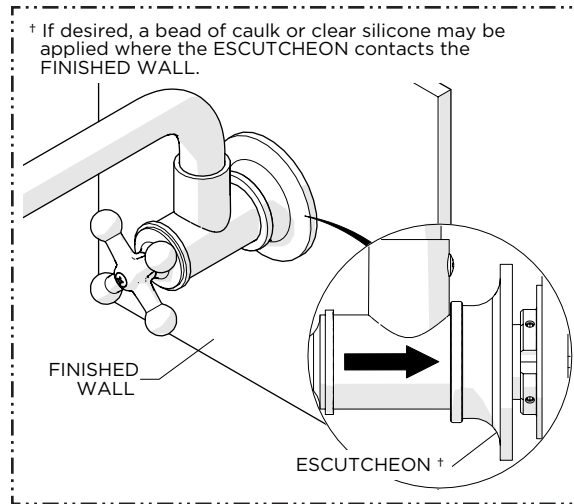
6. Unthread and remove the AERATOR from the SPOUT using the AERATOR KEY provided.

INSTALLATION GUIDELINES

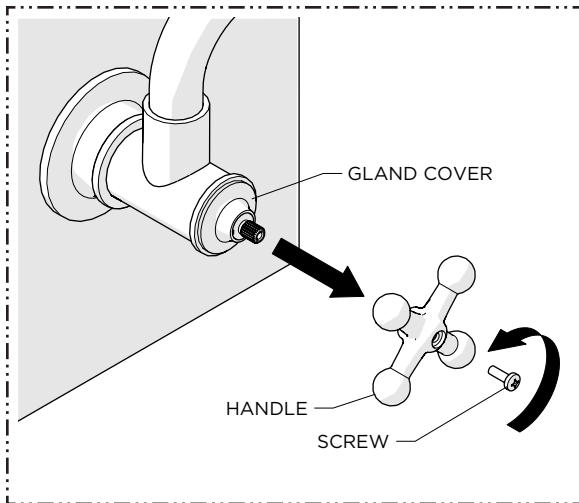
ARTICULATED POT FILLER



7. Turn on the water and operate the HANDLE to flush out any debris in the SUPPLY LINE and check for **leaks** then turn off water and re-install the AERATOR.

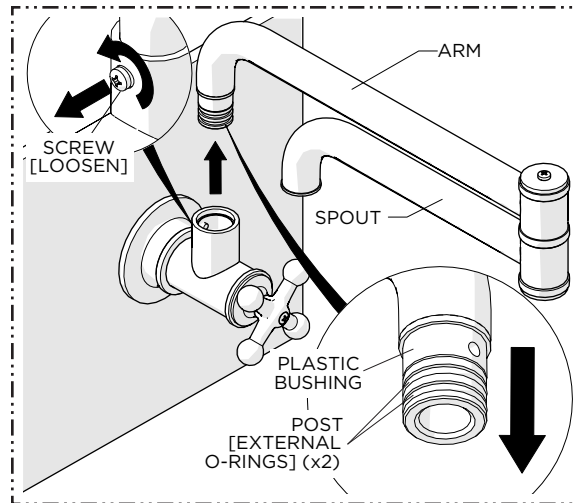


8. Slide the ESCUTCHEON down the VALVE BODY until it contacts the FINISHED WALL.



SERVICING THE HANDLE:

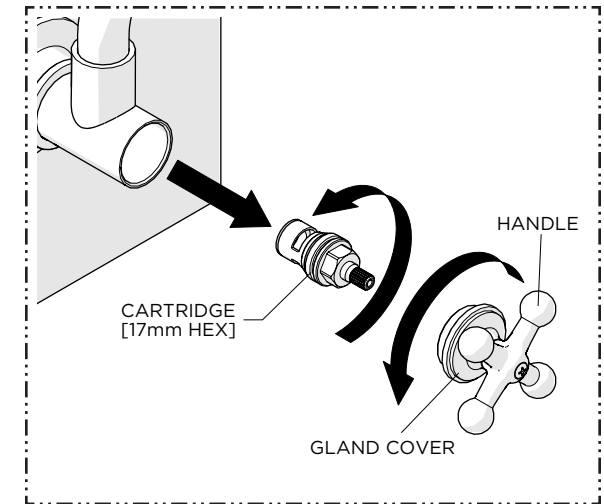
1. Unthread the SCREW then remove the HANDLE.



SERVICING THE ARTICULATED ARM:

1. Loosen, but do **NOT** remove, the SCREW at the base of the ARM then remove the ARM to expose the POST with the PLASTIC BUSHING and external O-RINGS (x2).

WATERWORKS



SERVICING THE CARTRIDGE:

1. Unthread the GLAND COVER and pull the HANDLE off to expose the CARTRIDGE then unthread and remove the CARTRIDGE.