

Flyte

FLLST1

Flyte Touchless Lavatory Faucet



SHOWN IN FLYTE TOUCHLESS LAVATORY FAUCET | FLLST1

TECHNICAL DETAILS

ADA Compliance: Yes
 Deck Thickness Maximum: 52 mm
 Deck Thickness Minimum: 5 mm
 Fittings Hole Diameter: 35 mm
 Inlet Connection Size: 1/2"
 Inlet Connection Type: Straight Male Threads
 Inlet Supply Spread Maximum: 29 mm
 Inlet Supply Spread Minimum: 29 mm
 Number Of Holes: One Hole
 Primary Material: Brass
 Water Pressure Maximum: 6.0 bar
 Water Pressure Minimum: 1.5 bar
 Water Pressure Recommended: 3.0 bar

INSPIRATION

Pure Modernism. Like minimalist works of art, the elegant proportions of these light, fluid elements bring sculptural reference to a room.

CODES & STANDARDS

FLLST1X, NSF/ANSI/CAN 61:Q < 1, NSF/ANSI/CAN 372, ASME A112.18.1/CSA B125.1, CEC, DOE, State of MA

PRODUCT FEATURES

The compact dual-temp mixing valve is installed under the sink, water temperature can be adjusted according to user preference

Dual-temp mixing valve, infrared sensor and battery pack housed in streamlined box for seamless installation

Infrared sensor integrated into the spout base, detection distance: 4-3/4 [120mm]. Background suppression technology ensures detection reliability

Flow rate is limited to 0.35gpm (1.3L/min) to meet LEED requirements

Battery Operated with 6 AA batteries included. Lavatory drain and supply hoses sold separately

CERTIFICATIONS

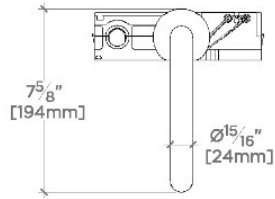


PRODUCT (NOTES)

Flyte

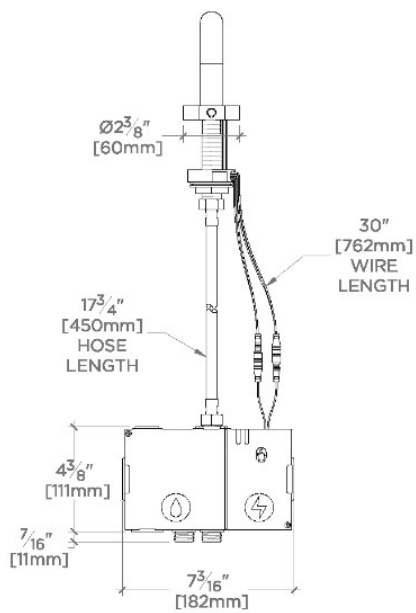
Flyte Touchless Lavatory Faucet

FLLST1



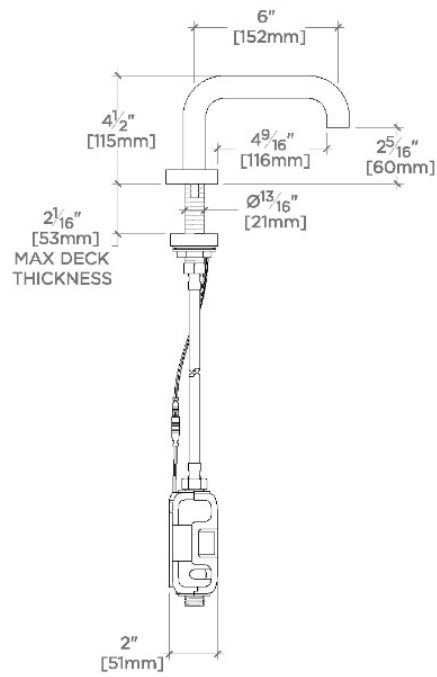
TOP VIEW

SCALE: 1 1/2"=1'-0"



FRONT VIEW

SCALE: 1 1/2"=1'-0"



SIDE VIEW

SCALE: 1 1/2"=1'-0"