

UNIVERSAL

GUDV3P

Universal Three Way Diverter Valve for Pressure Balance Shower Systems



SHOWN IN UNIVERSAL THREE WAY DIVERTER VALVE FOR PRESSURE BALANCE SHOWER SYSTEMS | GUDV3P

TECHNICAL DETAILS

Fittings Hole Diameter: 2"
Handle Turn Angle: Full Turn
Inlet Connection Size: 1/2"
Inlet Connection Type: Male NPT
Outlet Connection Size: 1/2"
Outlet Connection Type: Male NPT
Primary Material: Brass
Valve Material: Ceramic
Water Pressure Maximum: 85.0 psi
Water Pressure Minimum: 20.0 psi
Water Pressure Recommended: 45.0 psi

INSPIRATION

Our Universal collection features timeless designs complementing any of our Waterworks. With a wide range of product, from fittings to accessories, Universal adds exquisite proportion and balance to any environment.

CODES & STANDARDS

PRODUCT FEATURES

For use with Pressure Balance systems with three-way diverter valve trims

1/2" NPT female inlet and outlet with quarter turn functionality

16 gpm (gallons per minute) unrestricted maximum flow at 60 psi

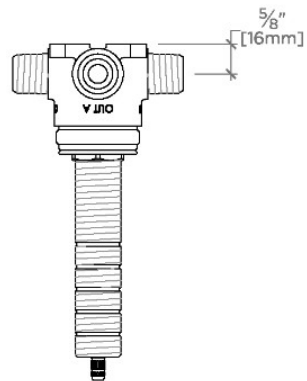
Custom tile guard ensures precise tiling, while providing accessibility in servicing the valve.

Made in Europe of Brass Construction

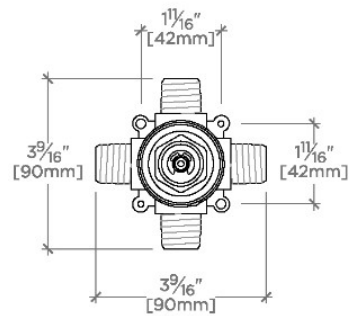
CERTIFICATIONS

PRODUCT (NOTES)

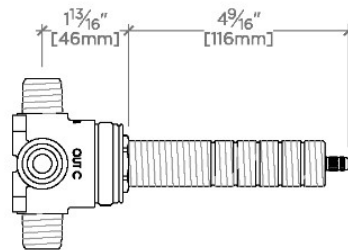
Universal Three Way Diverter Valve for Pressure Balance Shower Systems



TOP VIEW SCALE: 3"=1'-0"



FRONT VIEW SCALE: 3"=1'-0"



SIDE VIEW SCALE: 3"=1'-0"