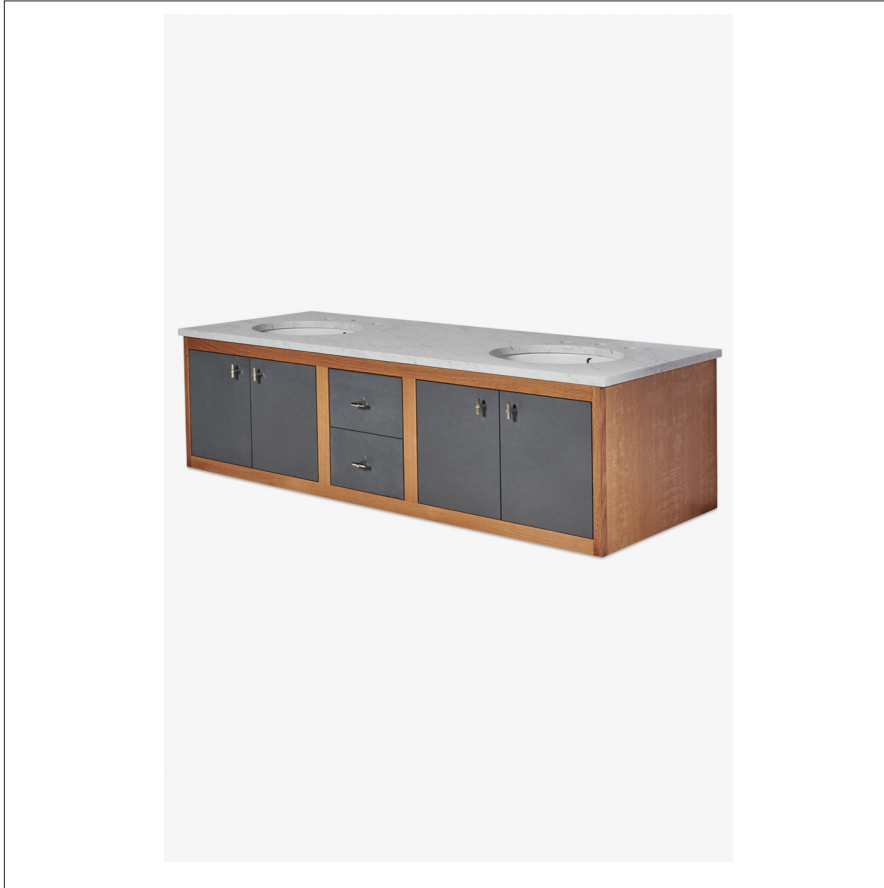


ALTA

ALVN04

Alta Double Floating Vanity with Charcoal Paperstone 67" x 24 1/2" x 22 1/4" with Slab, 4" x 3/4" Backsplash, and Saxby Sinks



FILEDESCRIPTION

TECHNICAL DETAILS

ADA Compliance: No
Adjustable Levelers / Feet: N
Bowl Shape: Oval
Depth to Overflow: 4 1/2"
Drain Hole Depth: 1 3/4"
Drain Hole Diameter: 1 3/4"
Fittings Hole Depth: 1 1/4"
Fittings Hole Diameter: 1 3/8"
Overflow Opening: Yes
Primary Material: Wood
Rough-in Supply Height Recommended: 21"
Rough-in Waste Height Recommended: 19"
Sink Visibility: N

INSPIRATION

Modern & minimalist. Alta incorporates mid-century elements with notable architectural & industrial influences.

PRODUCT FEATURES

Floating Vanity with two drawers

Stocked in a Clear Oak Finish

Hardware Sold Separately

Includes Saxby sinks and choice of stocked stone tops in Carrara or Arabescato.

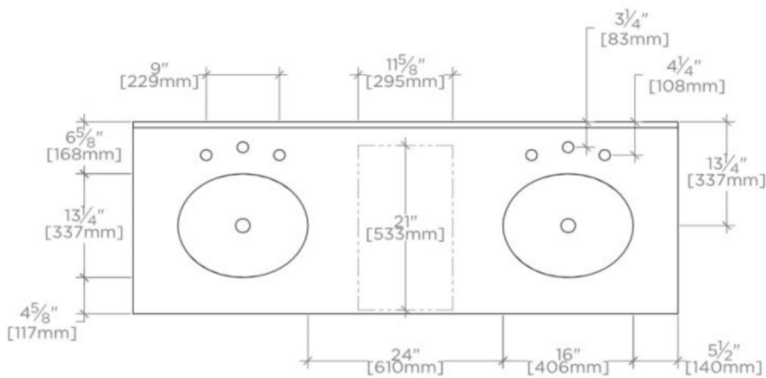
Install with or without backsplash (included)

WATERWORKS

ALTA

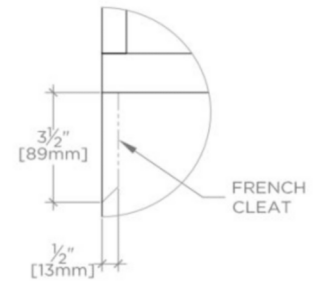
ALVN04

Alta Double Floating Vanity with Charcoal Paperstone 67" x 24 1/2"
x 22 1/4" with Slab, 4" x 3/4" Backsplash, and Saxby Sinks



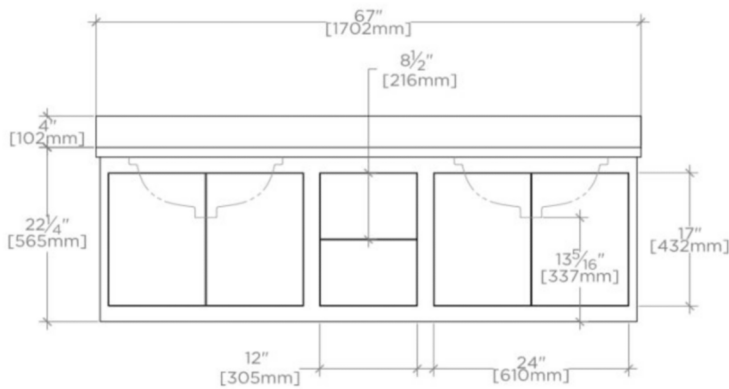
TOP VIEW

SCALE: 1/2"=1'-0"



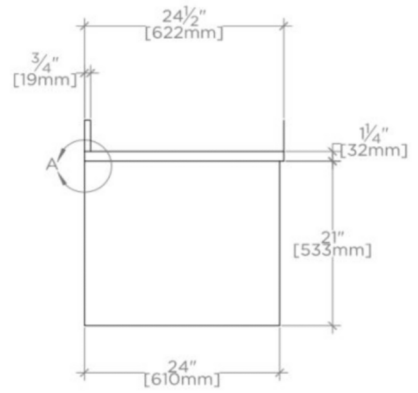
DETAIL A

NOT TO SCALE



FRONT VIEW

SCALE: 1/2"=1'-0"



SIDE VIEW

SCALE: 1/2"=1'-0"