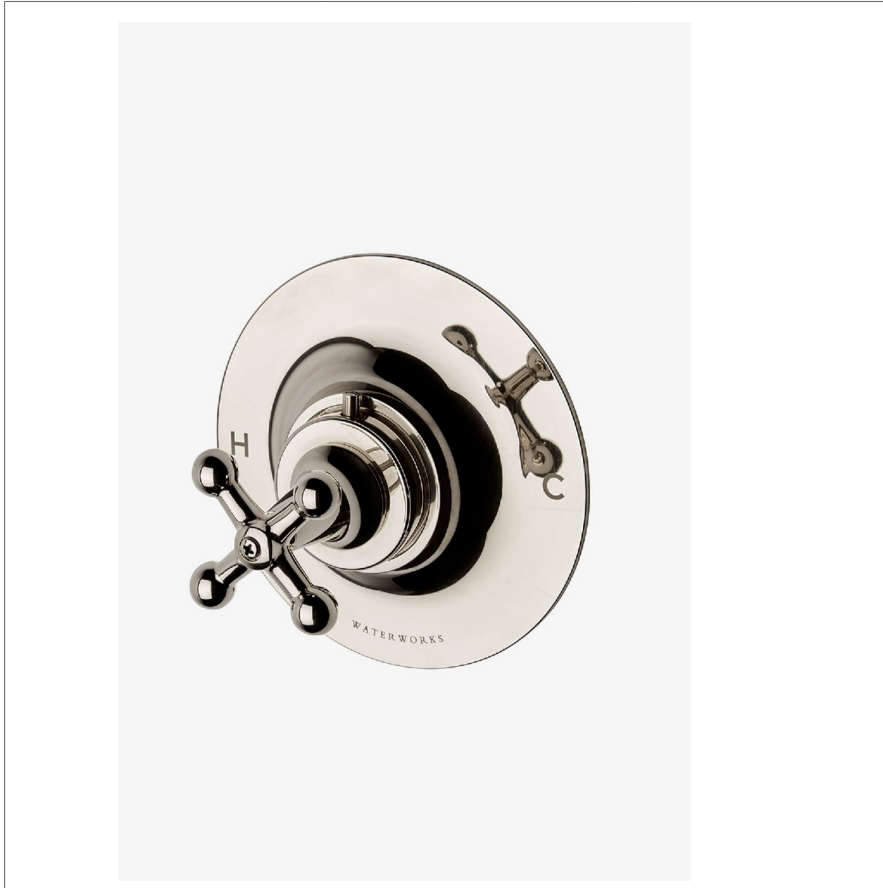


## Dash

DSTH01

Thermostatic Control Valve Trim



SHOWN IN THERMOSTATIC CONTROL VALVE TRIM | DSTH01

### TECHNICAL DETAILS

ADA Compliance: Yes  
 Depth/Width: 110 mm  
 Escutcheon Primary Material: Brass  
 Fittings Hole Diameter: 133 mm  
 Installation Type: Wall Mounted  
 Length: 160 mm  
 Primary Material: Brass  
 Suggested Application: Bath

### INSPIRATION

An imaginative blend of art and function, Dash pays homage to design elements of the 1930s with pared-down shapes, softened curves and minimal details.

### CODES & STANDARDS

State of MA

### PRODUCT FEATURES

Metal Cross Handle

Allows bather to adjust temperature of all waterway outlets

Stocked in Nickel, Chrome, Unlacquered Brass, and Matte Nickel finishes

Requires valve rough GUTH37(USA) or GU37TH(UK) sold separately

### CERTIFICATIONS



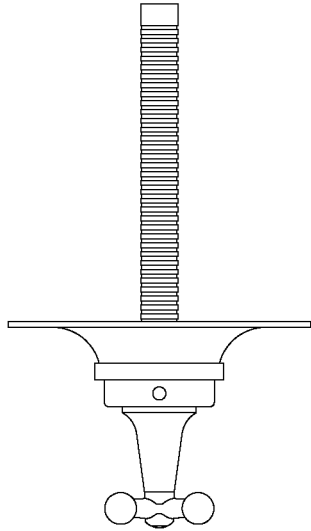
### PRODUCT (NOTES)

Product Requires Universal 3/4" Thermostatic Valve [GUTH37]. Valve Sold Separately.

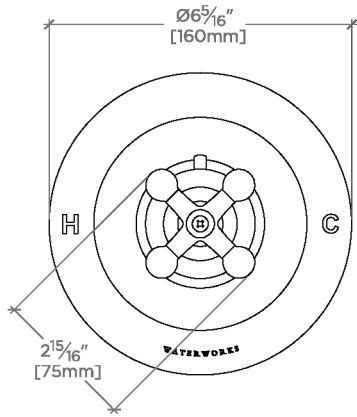
## Dash

DSTH01

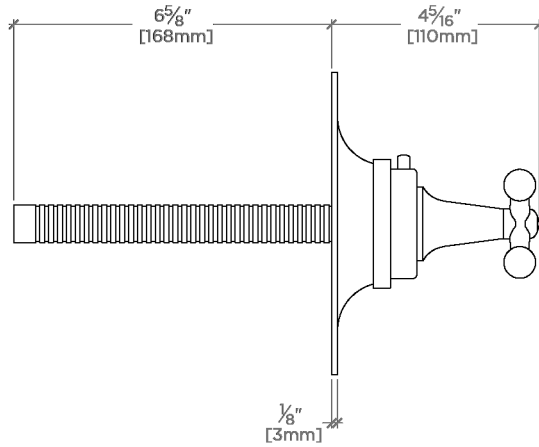
Thermostatic Control Valve Trim



TOP VIEW SCALE: 3"=1'-0"



FRONT VIEW SCALE: 3"=1'-0"



SIDE VIEW SCALE: 3"=1'-0"