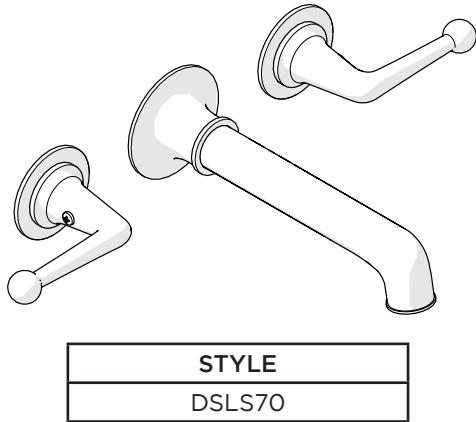


INSTALLATION GUIDELINES

WALL MOUNTED LAVATORY FAUCET

DASH THREE HOLE WALL MOUNTED LAVATORY FAUCET WITH METAL LEVER HANDLES



IMPORTANT:

- To ensure this product is installed properly, you must read and follow these guidelines.
- The owner/user of this product must keep this information for future reference.
- This product must be installed by a professional licensed contractor and must be on-site prior to rough-in. This allows the installer to visualize the installation.
- Be sure your installation conforms to all federal, state, and local codes. In the State of Massachusetts, all installations must comply with the rules and regulations set forth within 248 CMR.
- **FAUCET AND VALVE ARE SOLD SEPARATELY.**
- Inspect this product to ensure you have all the parts required for proper installation.
- This product is **sold partially** assembled but shown fully disassembled for illustrative and service purposes only.
- Check COUNTERTOP and SINK measurements to ensure the FAUCET projects far enough over the SINK.
- Use only a strap wrench or protected/smooth-jaw wrench on any finished surface.
- **CAUTION:** Flushing the SUPPLY VALVES (**sold separately**) prior to installing the LAVATORY FAUCET is recommended. Flushing can prevent damage to the CARTRIDGES and other internal components.
- The use of certain plumber's putty may stain stone or tile surfaces.
- If further assistance is required, please contact Product Support at 1-800-927-2120 Monday through Friday, 8am – 6pm EST.

REQUIRED PLUMBING DETAILS:

- ViaWorks 1/2" Lavatory Wall Mounted Valve (Used with Lever Handle Lavatory Faucets)

STYLE No. GULV25, GU25LV[†]

TECHNICAL DETAILS:

DETAIL	SPECIFICATION
DRAIN DEPTH	3/8" [10mm] MINIMUM
	2-5/8" [67mm] MAXIMUM
DRAIN HOLE DIAMETER	Ø1-3/4" [44mm]
DRAIN STYLE	PUSH TOUCH
HANDLE SPREAD	8" [203mm] NOT ADJUSTABLE
HANDLE TURN ANGLE	QUARTER TURN
INLET CONNECTION	1/2" MALE NPT †
SPOUT REACH	7-1/4" [184mm]
WATER PRESSURE	85psi [6.0 bar] MAXIMUM
	20psi [1.5 bar] MINIMUM
WATER PRESSURE RECOMMENDED	45psi [3.0 bar]

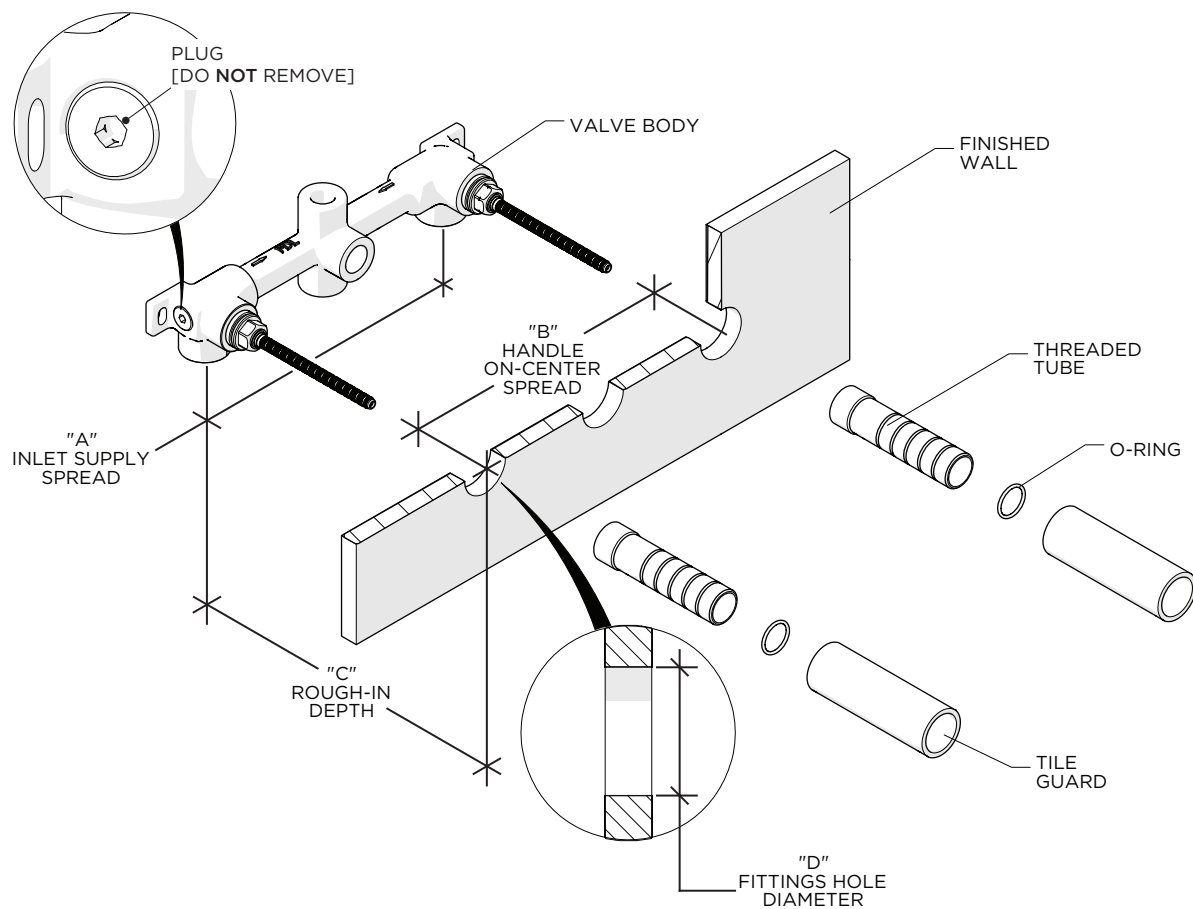
- † For **INTERNATIONAL USE ONLY**, a 1/2" NPT Male x 1/2" BSPP Male ADAPTER (**STYLE No. UNUK04**) is provided. The BSPP end of the ADAPTER may be field cut.

INSTALLATION GUIDELINES

WALL MOUNTED LAVATORY FAUCET

ROUGH-IN AND VALVE PREPARATION:

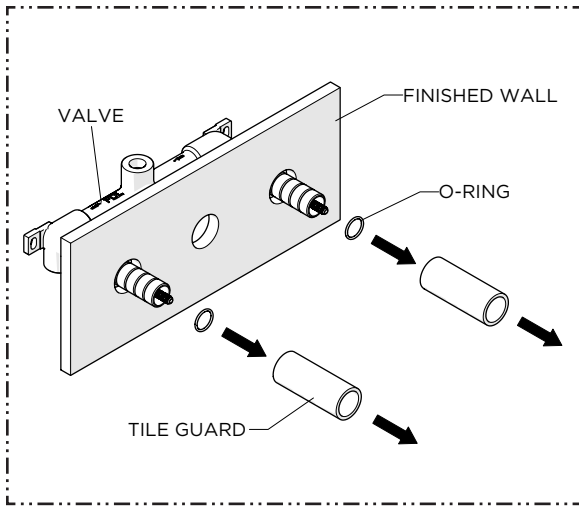
- Refer to the Installation Guidelines provided with the VALVE for complete rough-in installation details and related information.
- Remove and discard the TILE GUARDS only when the finished wall surface (TILE or SLAB) is completed and the FAUCET is ready to be installed.
- **CAUTION:**
 - Mark and remove the THREADED TUBES before cutting. Do **NOT** cut the end with the internal threads.
 - Mark and remove the CARTRIDGES using a 21/32" [17mm] shower valve socket wrench (**not provided**) before cutting.
- **ROUGH-IN DEPTH**
 - The rough-in depth is measured from the centerline of the inlets to the surface of the finished wall and must be between 3" [76mm] **MINIMUM** and 5-1/2" [140mm] **MAXIMUM**
- **ROUGH-IN HEIGHT**
 - The rough-in height must allow for a **MINIMUM** of 1-1/2" [38mm] air gap between the end of the SPOUT and the flood level rim of the SINK or FIXTURE the SPOUT is being installed over.
 - The rough-in height must provide the HANDLES enough clearance to fully open. This will vary depending on the TRIM being used.



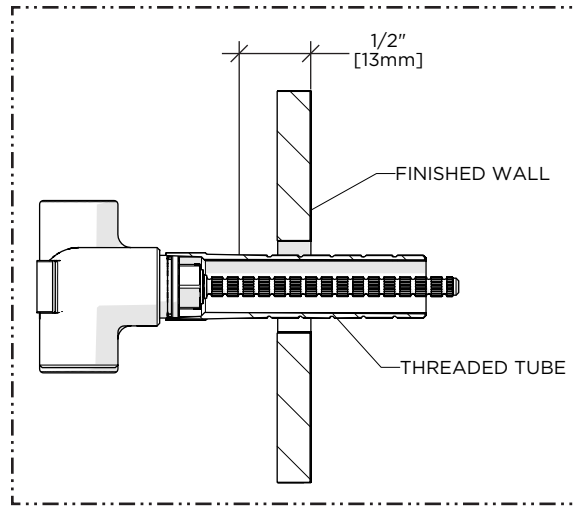
DIM	VALUE
A	1/2" [13mm]
B	3/8" [10mm]
C	3" [76mm] MIN
	5-1/2" [140mm] MAX
D	Ø1-3/8" [35mm]

INSTALLATION GUIDELINES

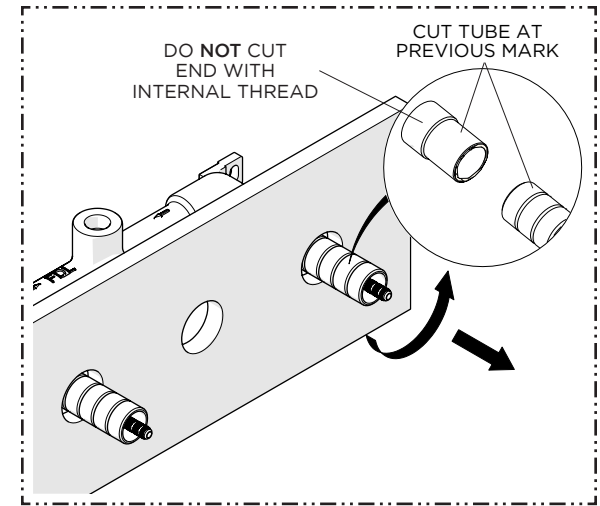
WALL MOUNTED LAVATORY FAUCET



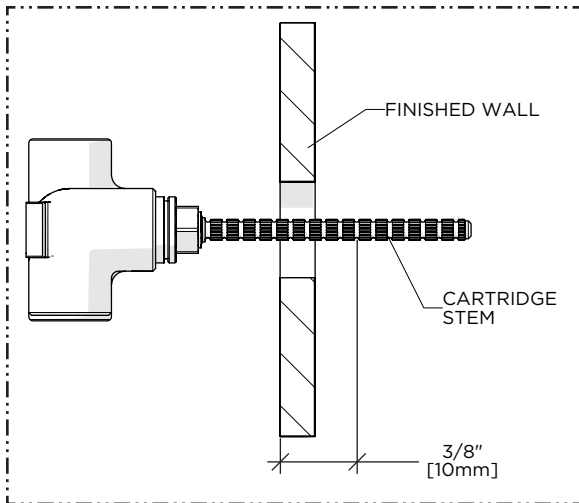
1. Remove the TILE GUARDS and the O-RINGS from the VALVE.



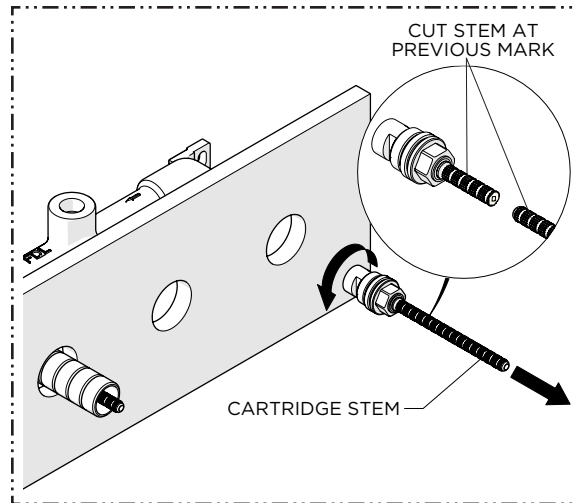
2. Mark the THREADED TUBE 1/2" [13mm] behind the FINISHED WALL.



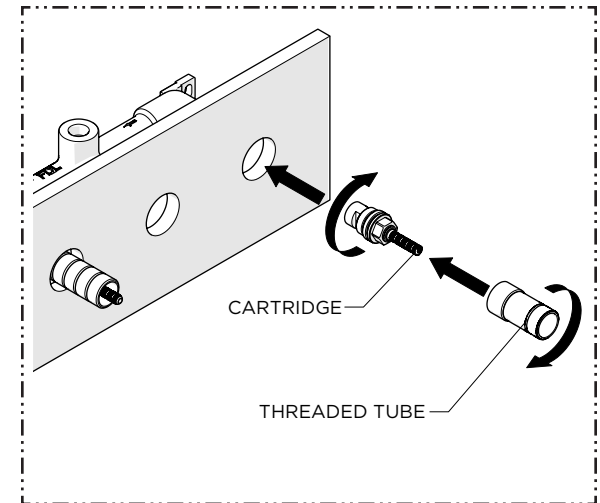
3. Unthread the THREADED TUBE then cut the TUBE at the previous mark. Do **NOT** cut the end with the internal threads.



4. Mark the CARTRIDGE STEM 3/8" [10mm] beyond where it protrudes from the FINISHED WALL.



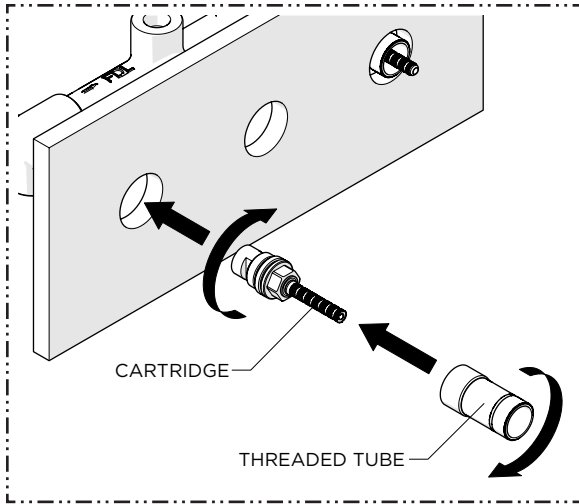
5. Remove the CARTRIDGE using a 21/32" [17mm] shower valve socket wrench (**not provided**) then cut the STEM at the previous mark.



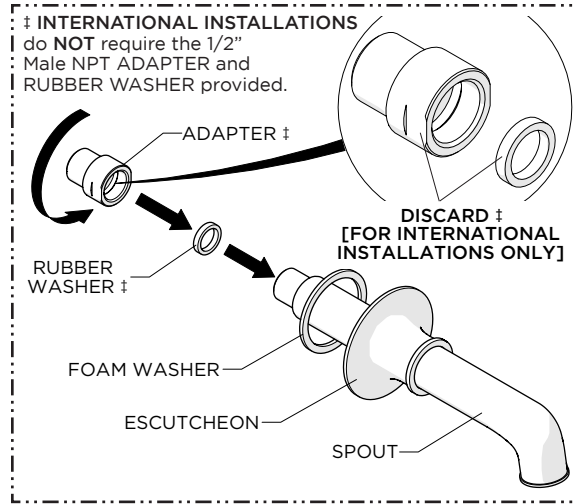
6. Thread and securely tighten the CARTRIDGE back into the VALVE then thread the THREADED TUBE back onto the CARTRIDGE.

INSTALLATION GUIDELINES

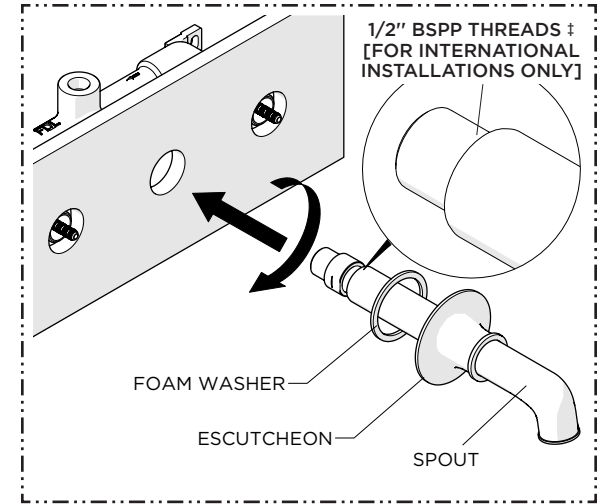
WALL MOUNTED LAVATORY FAUCET



7. Repeat Steps 2 - 6 to cut the second [2nd] THREADED TUBE and CARTRIDGE STEM.

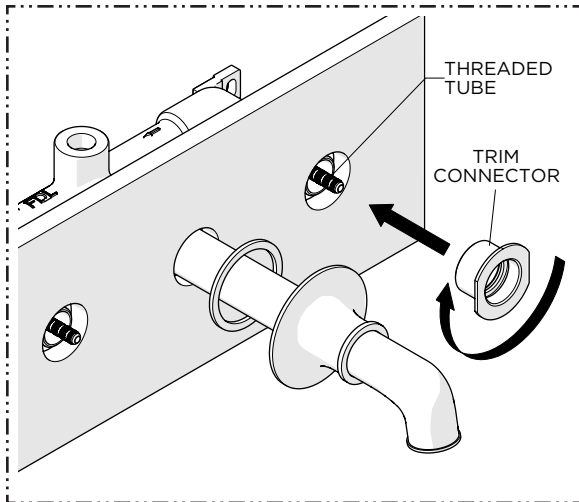


8. Slide the ESCUTCHEON onto the SPOUT, making sure to use the FOAM WASHER provided, then thread the 1/2" NPT ADAPTER † onto the SPOUT using the RUBBER WASHER provided.

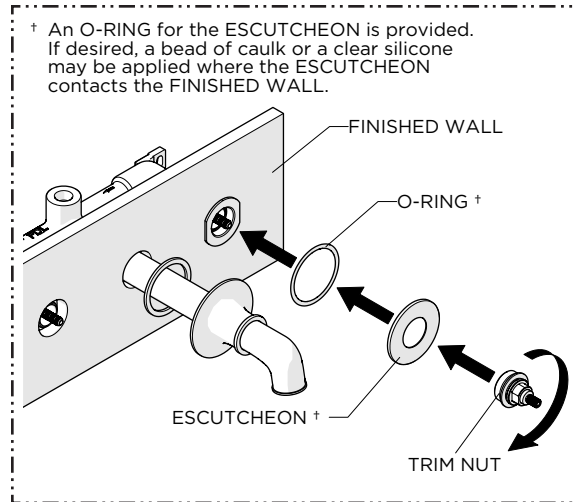


9. Apply thread sealant to the ADAPTER † then thread and securely tighten the SPOUT into the VALVE.

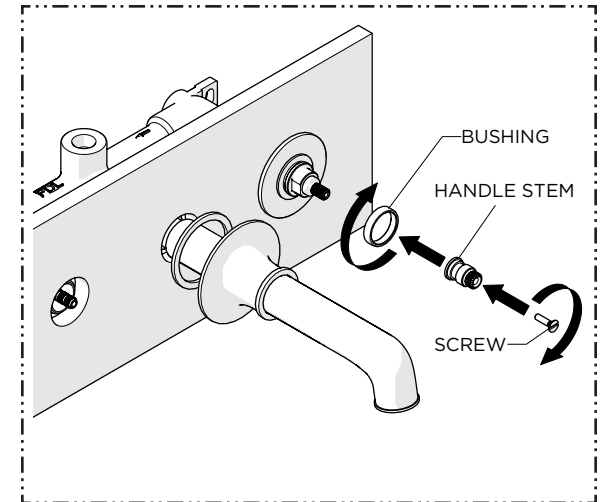
NOTE: Apply thread sealant to the 1/2" BSPP threads on the SPOUT for International installations only.



10. Thread and securely tighten the TRIM CONNECTOR onto the THREADED TUBE.



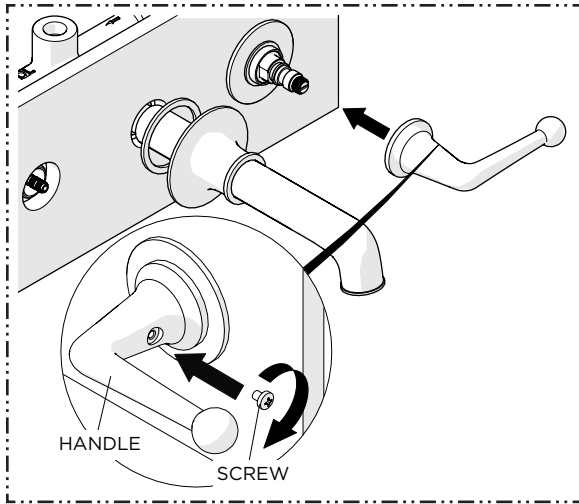
11. Hold the ESCUTCHEON against the FINISHED WALL, making sure to use the O-RING provided, and thread the TRIM NUT into TRIM CONNECTOR and securely tighten using a 5/8" [16mm] wrench.



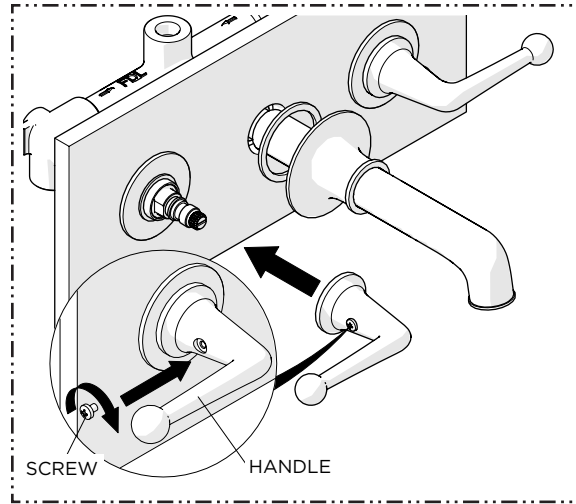
12. Thread the BUSHING onto the TRIM NUT. Place the HANDLE STEM onto the TRIM NUT then thread and securely tighten the SCREW.

INSTALLATION GUIDELINES

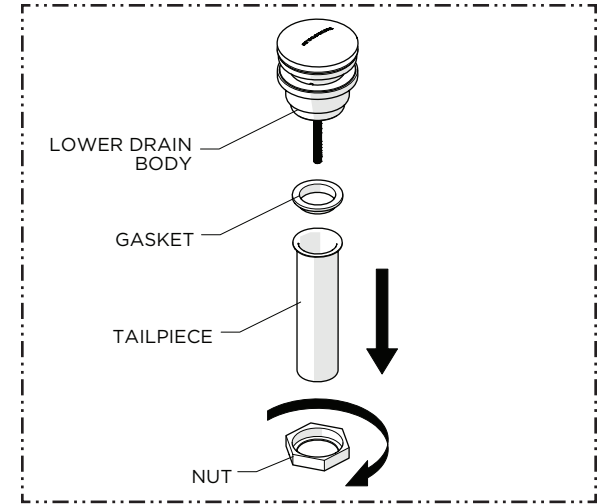
WALL MOUNTED LAVATORY FAUCET



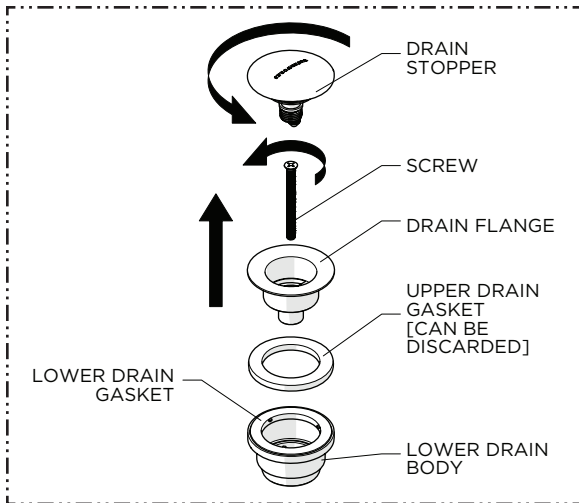
13. Place the HANDLE onto the HANDLE STEM in the desired orientation then thread and securely tighten the SCREW.



14. Repeat Steps 12 - 13 to install the second (2nd) HANDLE.

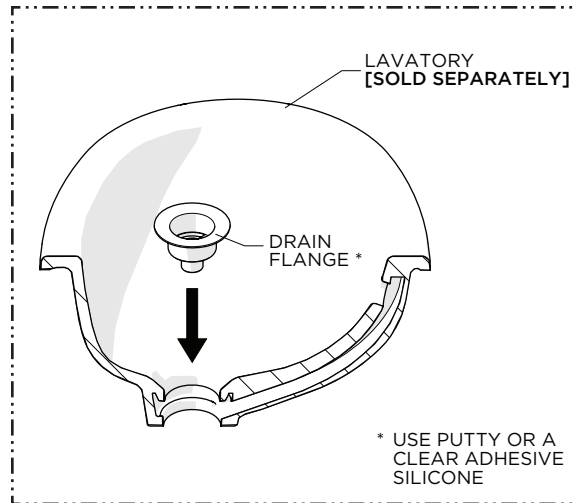


15. Remove the TAILPIECE from the LOWER DRAIN BODY.

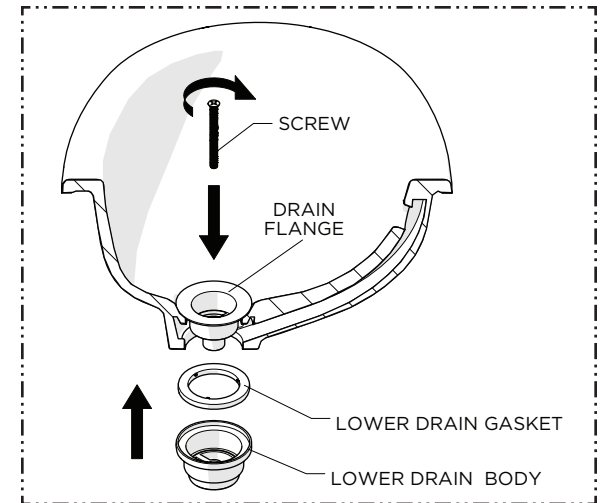


16. Unthread and remove the DRAIN STOPPER and LOWER DRAIN BODY from the DRAIN FLANGE. The UPPER DRAIN GASKET can be discarded.

CAUTION: Do NOT discard the LOWER DRAIN GASKET.



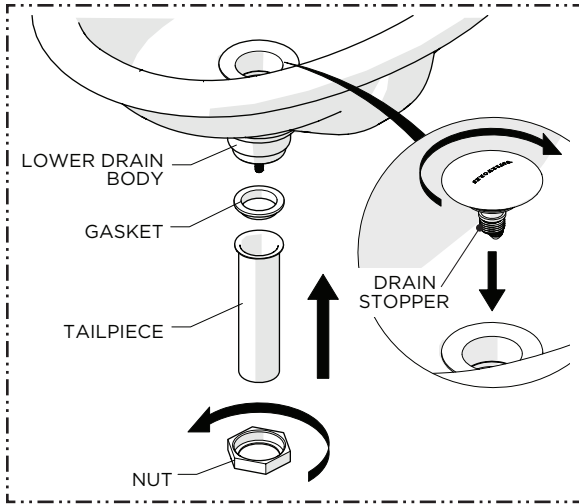
17. Set the DRAIN FLANGE in the LAVATORY [sold separately] using putty or a clear adhesive silicone.



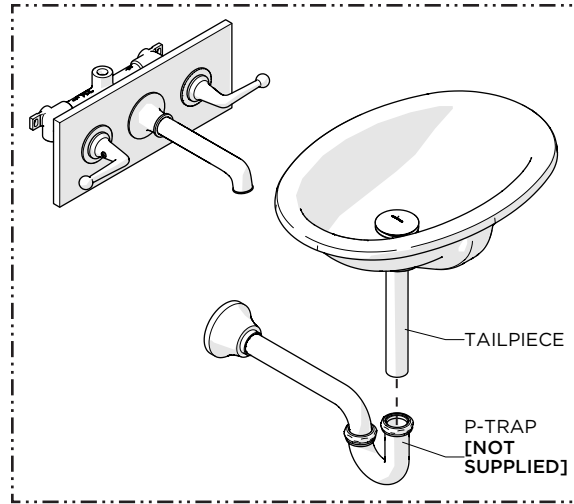
18. Re-install the LOWER DRAIN BODY making sure to use the GASKET provided. Ensure the GASKET makes a full seal on the underside of the lavatory then securely tighten the SCREW.

INSTALLATION GUIDELINES

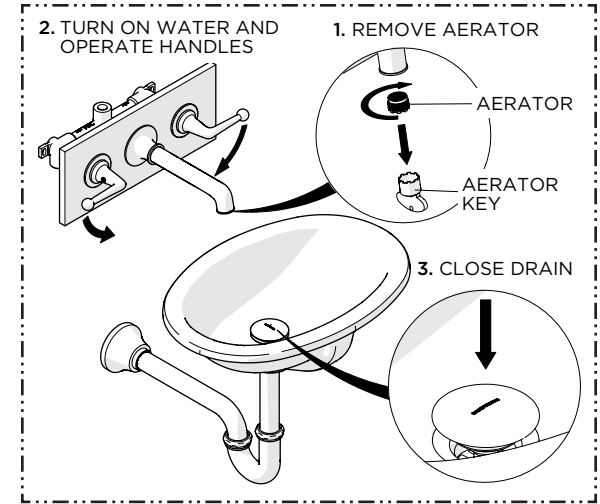
WALL MOUNTED LAVATORY FAUCET



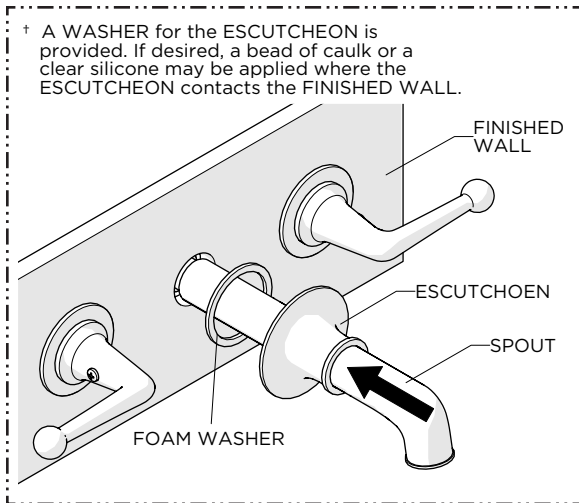
19. Re-install the DRAIN STOPPER then the TAILPIECE using the WASHER and NUT provided.



20. Make final P-TRAP **[sold separately]** connections.



21. Removed the AERATOR, turn on the water to flush out the supply lines, and inspect all connections for **leaks**. Close the DRAIN to ensure it functions properly then turn off the water and re-install the AERATOR..



22. Slide the ESCUTCHEON against the FINISHED WALL making sure to use the FOAM WASHER provided.