

## HENRY CHRONOS

CNRHG2

Henry Chronos Double Sided Glass Mounted Hooks



SHOWN IN HENRY CHRONOS DOUBLE SIDED GLASS MOUNTED HOOKS | CNRHG2

### TECHNICAL DETAILS

Primary Material: Brass

### INSPIRATION

Inspired by dive watches, Henry Chronos radiates design prowess and technical precision. Chronos retains the design integrity of our original, iconic Henry collection, while imbuing it with modern details and exquisite materials.

### CODES & STANDARDS

### PRODUCT FEATURES

All Mounting Hardware Included

Solid Brass Construction

Can accommodate glass thickness between 1/4" [6mm] to 3/4" [18mm]

Stocked in Brass, Chrome and Nickel

### CERTIFICATIONS

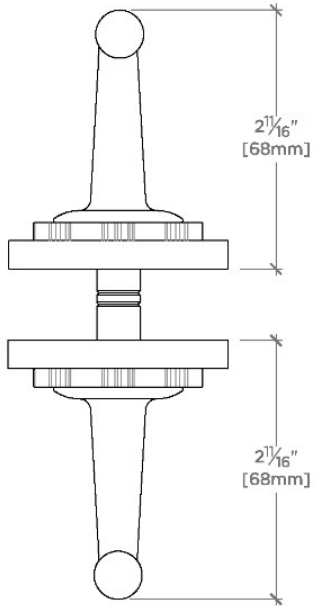
### PRODUCT (NOTES)

## HENRY CHRONOS

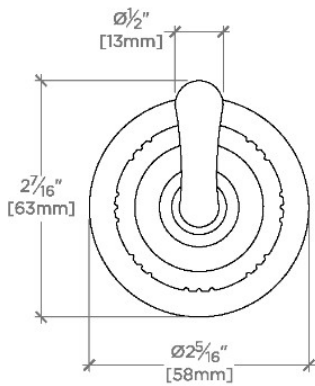
CNRHG2

Henry Chronos Double Sided Glass Mounted Hooks

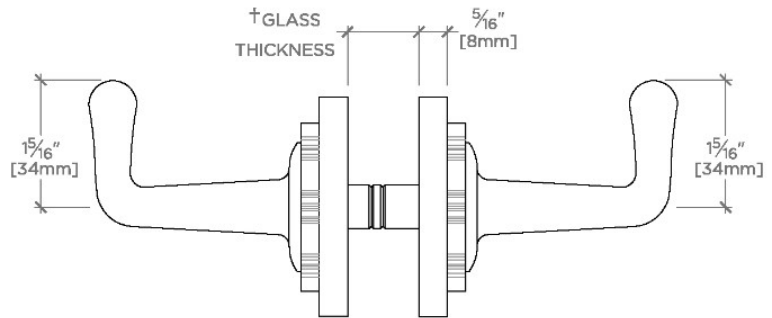
† THIS PRODUCT CAN BE INSTALLED ON GLASS THAT IS  
1/4" [6mm], 3/8" [10mm], 1/2" [13mm], OR 3/4" [19mm].



TOP VIEW SCALE: 6"=1'-0"



FRONT VIEW SCALE: 6"=1'-0"



SIDE VIEW SCALE: 6"=1'-0"