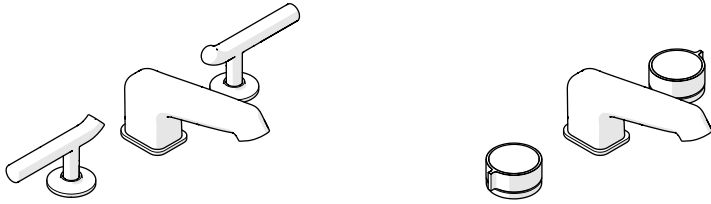


INSTALLATION GUIDELINES

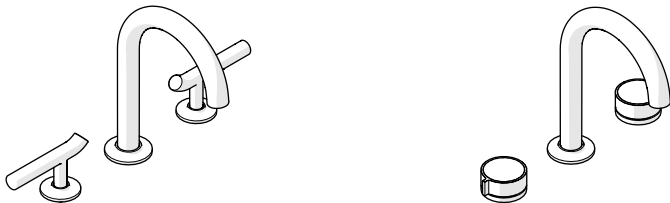
LOW PROFILE & GOOSENECK LAVATORY FAUCETS

BOND LOW PROFILE LAVATORY FAUCET WITH LEVER OR KNOB HANDLES



STYLES		
BLS110 [SHOWN]	BLS12A	BLS12B
BLS12C	BLS12D	BLS12E
BLS12S	BLS120	
BLS130 [SHOWN]	BLS13S	BLS14A
BTH14B	BTH14D	BLS15C

BOND GOOSENECK LAVATORY FAUCET WITH LEVER OR KNOB HANDLES



STYLES		
BLS210 [SHOWN]	BLS22A	BLS22B
BLS22C	BLS22D	BLS22E
BLS22S	BLS220	
BLS230 [SHOWN]	BLS23S	BLS24A
BTH24B	BTH24D	BLS25C

IMPORTANT:

- To ensure this product is installed properly, you must read and follow these guidelines.
- The owner/user of this product must keep this information for future reference.
- This product must be installed by a professional licensed contractor.
- Be sure your installation conforms to federal, state, and local codes. In the State of Massachusetts, all installations must comply with the rules and regulations set forth within 248 CMR.

- Inspect this product to ensure you have all the parts required for proper installation.
- Product is sold partially assembled but shown fully disassembled for illustrative and service purposes only.
- **CAUTION:** Use only a strap wrench or protected/smooth-jaw wrench on ANY finished surface.
- **CAUTION:** Flushing the SUPPLY VALVES (sold separately) prior to installing the LAVATORY FAUCET is recommended. Flushing can prevent damage to the CARTRIDGES and other internal components.
- The use of certain plumber's putty may stain stone or tile surfaces.
- If further assistance is required, please contact Product Support at 1-800-927-2120 Monday through Friday, 8am - 6pm EST.
- Refer to the separate Service Parts Documents for available replacement parts.

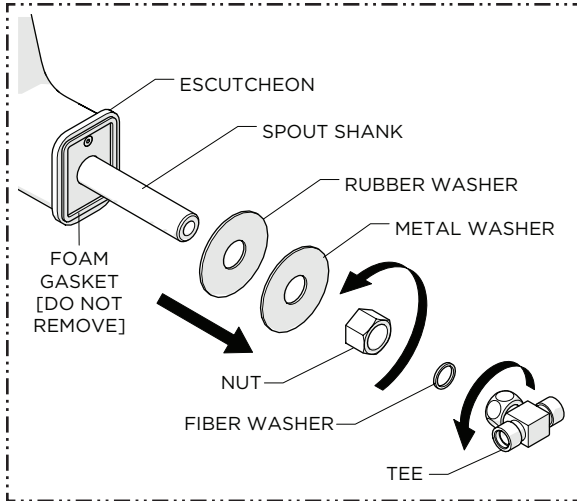
TECHNICAL DETAILS:

DETAIL	SPECIFICATION
DECK THICKNESS MAXIMUM	1-11/16" [43mm]
DECK THICKNESS MINIMUM	1/4" [6mm]
DRAIN DEPTH MAXIMUM	2" [51mm]
DRAIN DEPTH MINIMUM	3/8" [10mm]
DRAIN HOLE DIAMETER	1-1/2" [38mm]
DRAIN STYLE	PUSH-TOUCH
FITTINGS HOLE DIAMETER	Ø1-3/8" [35mm]
HANDLE SPREAD MAXIMUM	12" [305mm]
HAND SPREAD MINIMUM	8" [203mm]
HANDLE TURN ANGLE	QUARTER TURN
INLET CONNECTION	1/2" MALE WITH SUPPLY NUT
SPOUT REACH	5-5/8" [143mm] [LOW PROFILE] 6-7/16" [164mm] [GOOSENECK]
WATER PRESSURE MAXIMUM	85psi [6.0 bar]
WATER PRESSURE MINIMUM	20psi [1.5 bar]
WATER PRESSURE RECOMMENDED	45psi [3.0 bar]

WATERWORKS INSTALLATION GUIDELINES

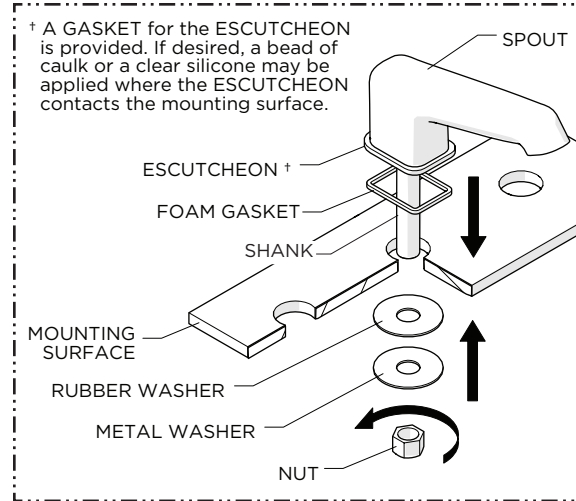
STYLE No. BLS110, BLS12A, BLS12B, BLS12C, BLS12D, BLS12E, BLS12S, BLS12O, BLS130, BLS13S, BLS14A, BLS14B, BLS14D, BLS15C, BLS210, BLS22A, BLS22B, BLS22C, BLS22D, BLS22E, BLS22S, BLS22O, BLS230, BLS23S, BLS24A, BLS24B, BLS24D, BLS25C.

BondLavatory Faucet with Handles

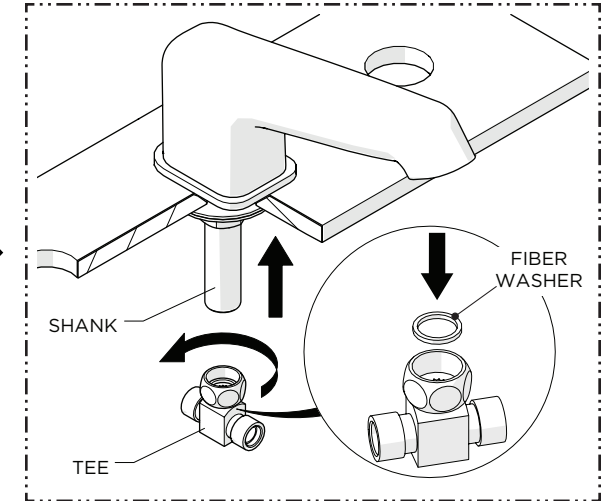


1. Remove the TEE, NUT and LOWER DECK WASHERS from the SPOUT SHANK.

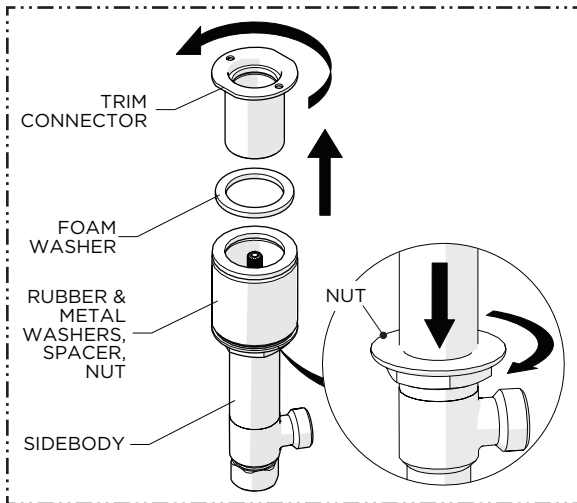
NOTE: Do **NOT** remove the FOAM GASKET beneath the ESCUTCHEON or discard the FIBER WASHER provided with the TEE.



2. Insert the SHANK through the hole on the mounting surface, making sure the FOAM GASKET is beneath the ESCUTCHEON, then re-install the LOWER DECK WASHERS and securely tighten the NUT.

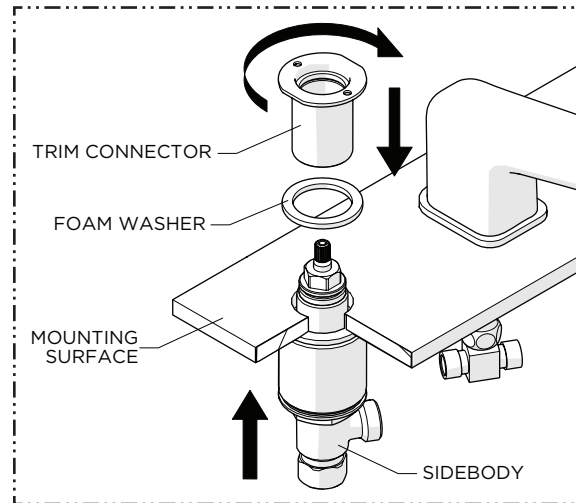


3. Thread and securely tighten the TEE onto the SHANK making sure to use the FIBER WASHER provided.

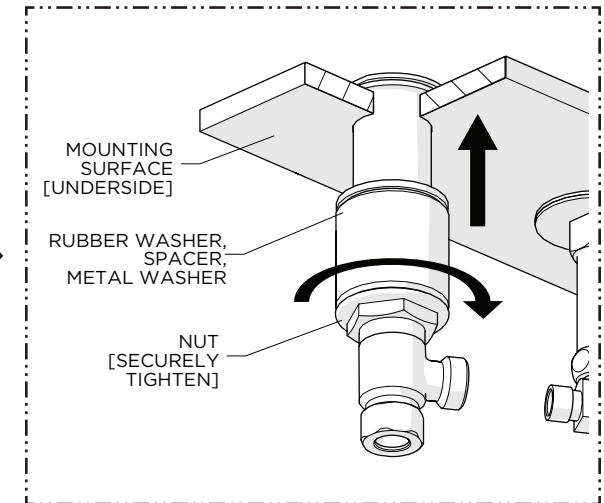


4. Unthread and remove the TRIM CONNECTOR and FOAM WASHER from the SIDEBODY then fully thread the NUT down the SIDEBODY.

NOTE: Do **NOT** remove the LOWER DECK WASHERS and SPACER.



5. Using the FOAM WASHER provided, thread the TRIM CONNECTOR back onto the SIDEBODY until snug then let it rest on the mounting surface.



6. Ensure the SIDEBODY is positioned so the SUPPLY HOSE can be easily connected to the TEE then thread and securely tighten the NUT against the underside of the mounting surface.

NOTE: Repeat steps 4 - 6 to install the 2ND SIDEBODY.

WATERWORKS

INSTALLATION GUIDELINES

STYLE No. BLS110, BLS12A, BLS12B, BLS12C, BLS12D, BLS12E, BLS12S, BLS12O, BLS130, BLS13S, BLS14A, BLS14B, BLS14D, BLS15C, BLS210, BLS22A, BLS22B, BLS22C, BLS22D, BLS22E, BLS22S, BLS22O, BLS230, BLS23S, BLS24A, BLS24B, BLS24D, BLS25C.

BondLavatory Faucet with Handles

STEPS 7 - 8 FOR KNOB HANDLE ONLY

The diagram for Step 7 shows the removal of the INDICE, SCREW [2.5mm HEX], and KNOB HANDLE [INTERNAL SPRING MECHANISM] from the ESCUTCHEON. An arrow indicates the handle is rotated 45 degrees. The diagram for Step 8 shows the ESCUTCHEON being inserted into the TRIM CONNECTOR, the KNOB HANDLE being placed on the HANDLE STEM, and the SCREW [2.5mm HEX] being tightened. A NOTCH is shown on the back of the escutcheon.

7. Remove the INDICE, center SCREW and KNOB HANDLE from the ESCUTCHEON. Do **NOT** remove the internal SPRING.

NOTE: To remove the INDICE push down on and rotate it 45° then release.

8. Fully thread the ESCUTCHEON into the TRIM CONNECTOR, place the KNOB onto the HANDLE STEM, thread and securely tighten the SCREW, and re-attach the INDICE.

NOTE: Repeat steps 7 - 8 to install **2ND** HANDLE.

PROCEED TO
STEP 11

STEPS 9 - 10 FOR LEVER HANDLE ONLY

The diagram for Step 9 shows the ESCUTCHEON [INTERNAL O-RING] being slid up the LEVER HANDLE to expose the UNION NUT, which is then threaded into the TRIM CONNECTOR. The diagram for Step 10 shows the ESCUTCHEON being slid down the LEVER HANDLE to conceal the TRIM CONNECTOR.

9. **CAREFULLY** slide the ESCUTCHEON up the LEVER HANDLE to expose the UNION NUT then thread the NUT into the TRIM CONNECTOR until snug.

10. **CAREFULLY** slide the ESCUTCHEON down the LEVER HANDLE to conceal the TRIM CONNECTOR.

NOTE: Repeat steps 9 - 10 to install **2ND** HANDLE.

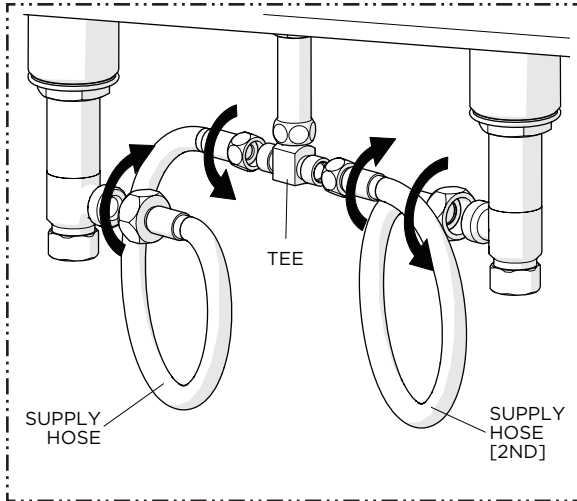
PROCEED TO
STEP 11

WATERWORKS

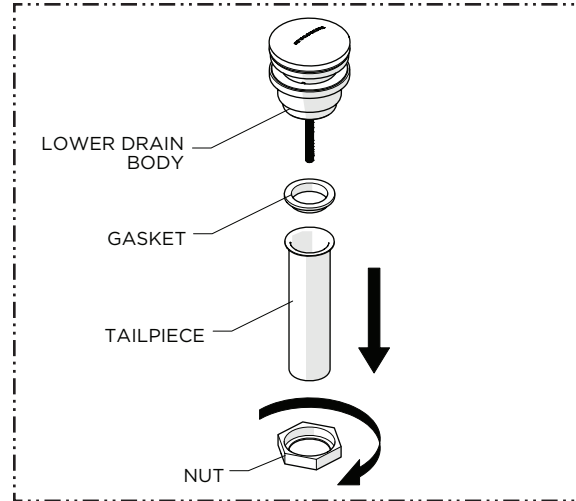
INSTALLATION GUIDELINES

STYLE No. BLS110, BLS12A, BLS12B, BLS12C, BLS12D, BLS12E, BLS12S, BLS12O, BLS130, BLS13S, BLS14A, BLS14B, BLS14D, BLS15C, BLS210, BLS22A, BLS22B, BLS22C, BLS22D, BLS22E, BLS22S, BLS22O, BLS230, BLS23S, BLS24A, BLS24B, BLS24D, BLS25C.

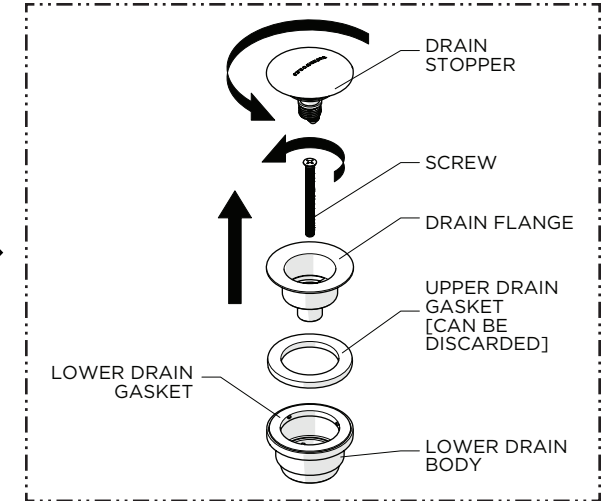
BondLavatory Faucet with Handles



11. Connect the SIDEBODIES to the TEE using the SUPPLY HOSES provided. Securely tighten the HOSES and ensure they are not pinched/kinked.

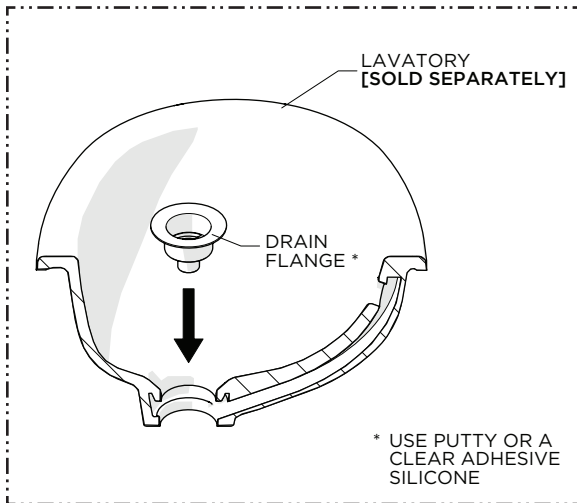


12. Unthread and remove the NUT, TAILPIECE, and GASKET from the LOWER DRAIN BODY.

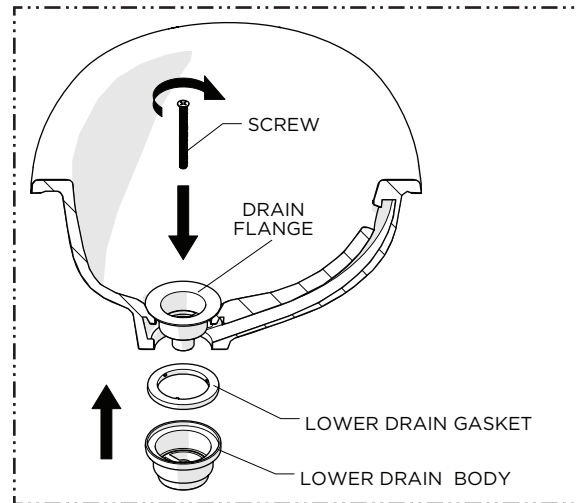


13. Remove the DRAIN STOPPER from the DRAIN FLANGE then unthread the SCREW from the LOWER DRAIN BODY.

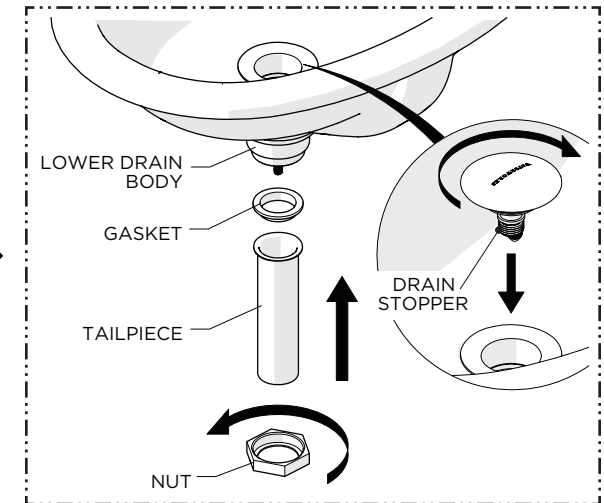
NOTE: Do **NOT** remove or discard the LOWER DRAIN GASKET.



14. Set the DRAIN FLANGE into the LAVATORY (sold separately) using putty or a clear silicone.



15. Insert the SCREW provided into the FLANGE then thread and securely tighten the SCREW into the LOWER DRAIN BODY making sure the LOWER DRAIN GASKET makes a full seal on the underside of the LAVATORY.



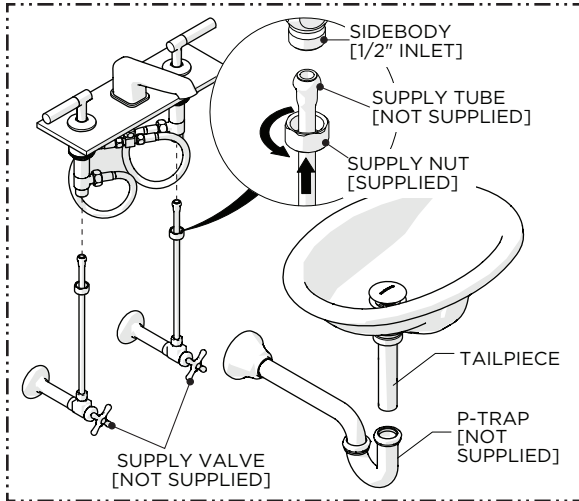
16. Re-install the DRAIN STOPPER and TAILPIECE using the GASKET and NUT provided.

WATERWORKS

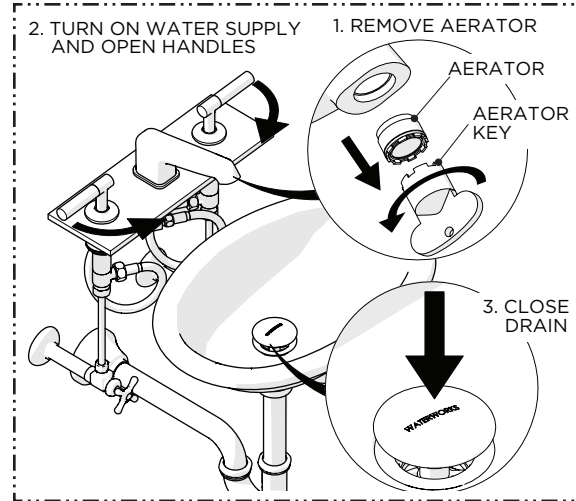
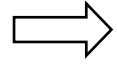
INSTALLATION GUIDELINES

STYLE No. BLS110, BLS12A, BLS12B, BLS12C, BLS12D, BLS12E, BLS12S, BLS12O, BLS130, BLS13S, BLS14A, BLS14B, BLS14D, BLS15C, BLS210, BLS22A, BLS22B, BLS22C, BLS22D, BLS22E, BLS22S, BLS22O, BLS230, BLS23S, BLS24A, BLS24B, BLS24D, BLS25C.

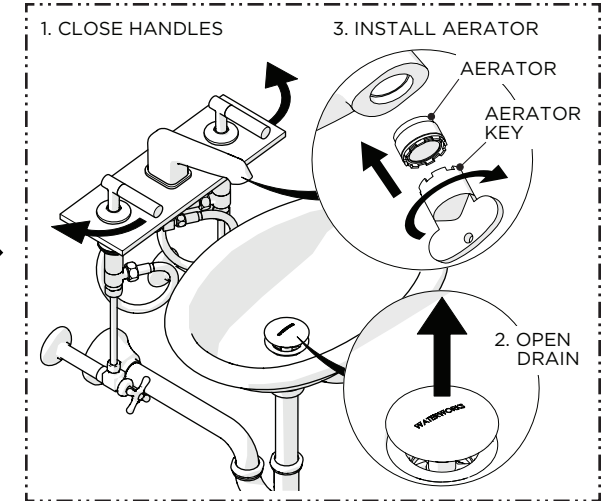
BondLavatory Faucet with Handles



17. Make final P-TRAP (sold separately) and SUPPLY VALVE (sold separately) connections.



18. Remove the AERATOR, turn on the water supply and open the HANDLES to flush out the supply lines, and inspect all connections for leaks then close the DRAIN to ensure it functions properly.



19. Close the HANDLES, open the DRAIN to drain the water, and re-install the AERATOR.

NOTE: 2-3 Seconds of residual water is typical on large gooseneck faucets.