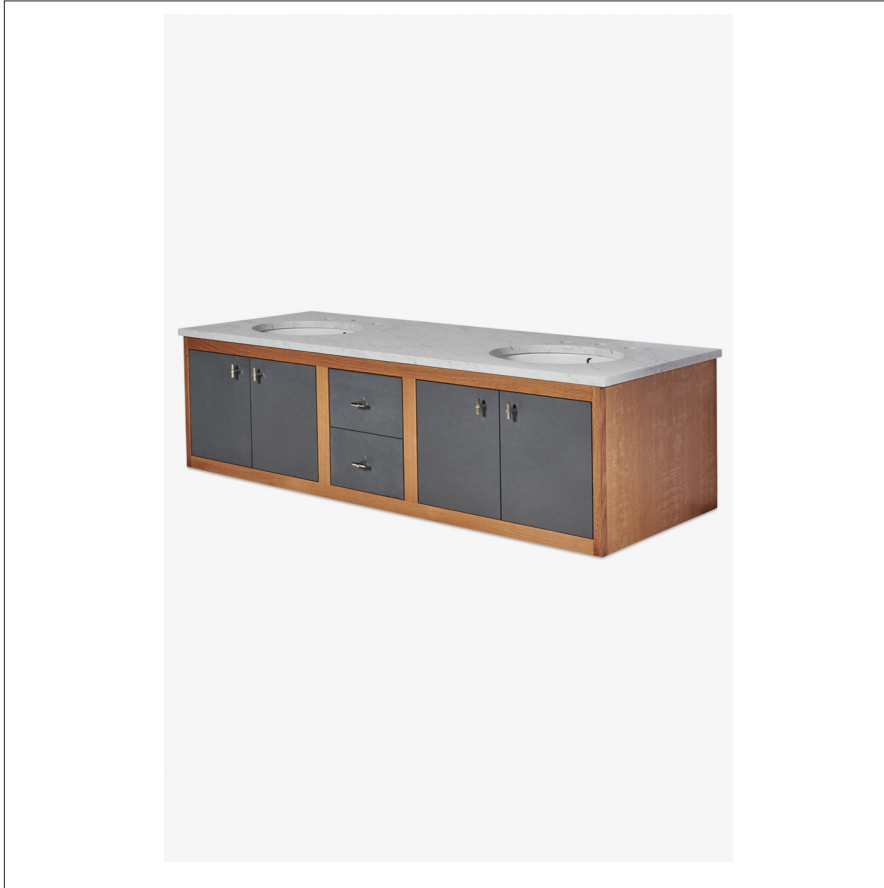


## ALTA

ALVN04

Alta Double Floating Vanity with Charcoal Paperstone 67" x 24 1/2" x 22 1/4" with Slab, 4" x 3/4" Backsplash, and Saxby Sinks



FILEDESCRIPTION

### TECHNICAL DETAILS

ADA Compliance: No  
Adjustable Levelers / Feet: N  
Bowl Shape: Oval  
Depth to Overflow: 114 mm  
Drain Hole Depth: 44 mm  
Drain Hole Diameter: 44 mm  
Fittings Hole Depth: 32 mm  
Fittings Hole Diameter: 35 mm  
Overflow Opening: Yes  
Primary Material: Wood  
Rough-in Supply Height Recommended: 533 mm  
Rough-in Waste Height Recommended: 483 mm  
Sink Visibility: N

### INSPIRATION

Modern & minimalist. Alta incorporates mid-century elements with notable architectural & industrial influences.

### PRODUCT FEATURES

Floating Vanity with two drawers

Stocked in a Clear Oak Finish

Hardware Sold Separately

Includes Saxby sinks and choice of stocked stone tops in Carrara or Arabescato.

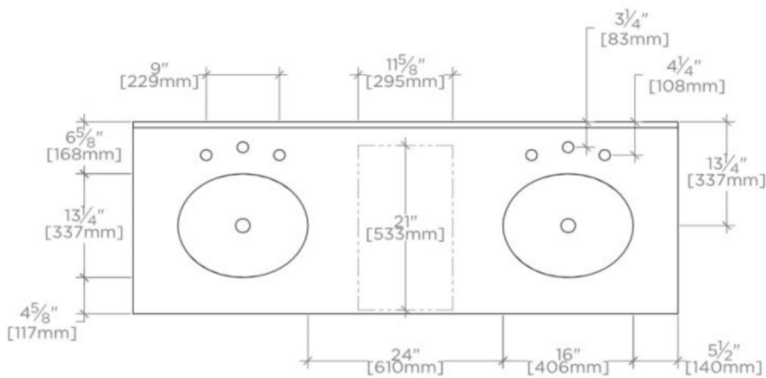
Install with or without backsplash (included)

# WATERWORKS

## ALTA

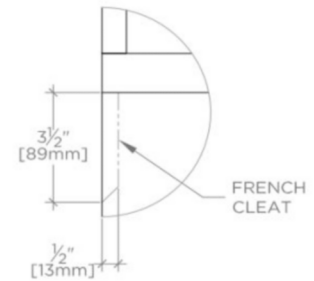
## ALVN04

Alta Double Floating Vanity with Charcoal Paperstone 67" x 24 1/2"  
x 22 1/4" with Slab, 4" x 3/4" Backsplash, and Saxby Sinks



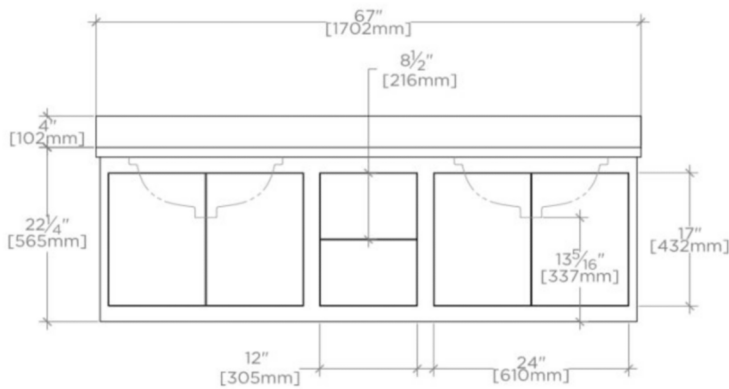
TOP VIEW

SCALE: 1/2"=1'-0"



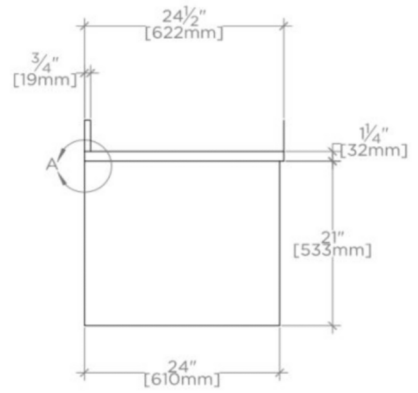
DETAIL A

NOT TO SCALE



FRONT VIEW

SCALE: 1/2"=1'-0"



SIDE VIEW

SCALE: 1/2"=1'-0"