

REGULATOR

RG40LS

Regulator Gooseneck One Hole Lavatory Faucet with Black Wheel Handle



SHOWN IN REGULATOR GOOSENECK ONE HOLE LAVATORY FAUCET WITH BLACK WHEEL HANDLE| RGLS40

TECHNICAL DETAILS

Deck Thickness Maximum: 52 mm
Deck Thickness Minimum: 6 mm
Drain Assembly Materials: Brass
Drain Depth Maximum: 67 mm
Drain Hole Diameter: 44 mm
Drain Style: Push Touch
Escutcheon Primary Material: Brass
Fittings Hole Diameter: 44 mm
Flow Restriction Options: 1.0, 1.2, 1.5, 1.75, 2.2
Handle Turn Angle: Quarter Turn
Depth / Width: 268 mm
Height: 318 mm
Inlet Connection Size: 3/8"
Inlet Connection Type: Compression Connection Hoses
Length: 122 mm
Primary Material: Brass
Restricted Maximum Flow Rate: 8.3 liters/min
Spout Swivel: Y
Suggested Application: Bath
Water Pressure Maximum: 6.0 bar
Water Pressure Minimum: 1.5 bar
Water Pressure Recommended: 3.0 bar

INSPIRATION

A play on industrial controls from the early 1900s, when pride was lavished on parts. Translated to handcrafted, fittings project rugged beauty through powerful, detailed shapes.

PRODUCT FEATURES

Matte Black Wheel Handle

Stocked in Nickel, Chrome and Unlacquered Brass

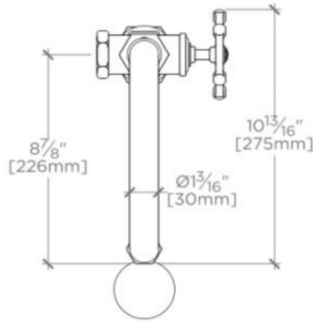
Standard flow rate is 2.2gpm (8.3 L/min) and State of California requires 1.2gpm(4.5 L/min). Also available in other flow options. Contact a sales associate for details.

WATERWORKS

REGULATOR

RG40LS

Regulator Gooseneck One Hole Lavatory Faucet with Black Wheel Handle

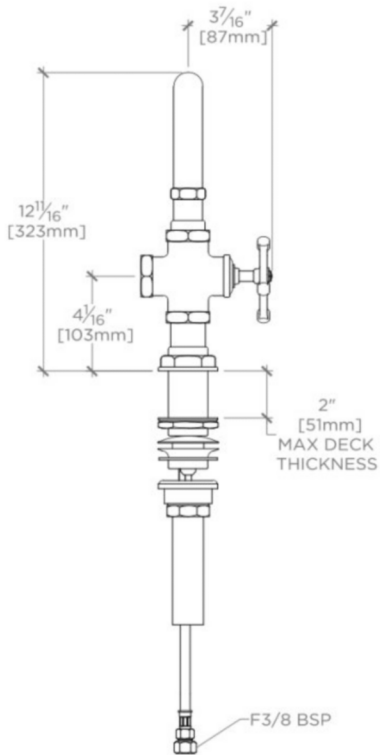


TOP VIEW SCALE: 1/2"=1'-0"

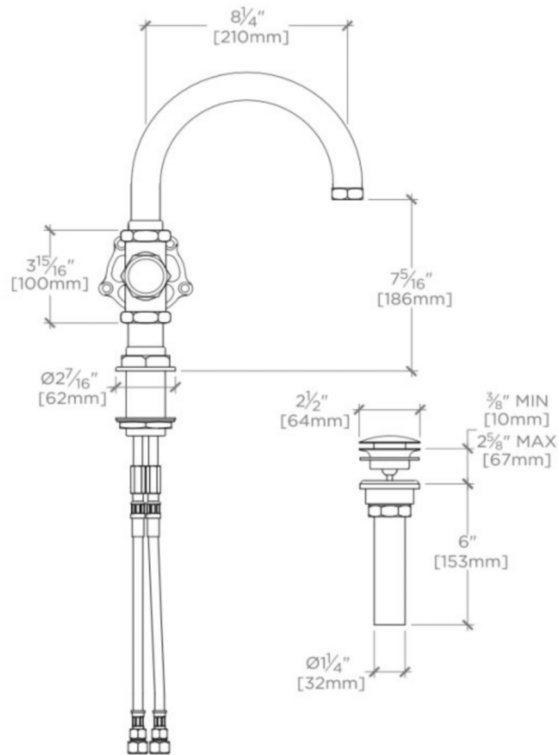
ADAPTER(S) PACKAGED SEPARATELY		
ADAPTER	DESCRIPTION	QTY
UNUK08	9/16" - 24 UNEF Male x 3/8" Female BSP Adapter	2



ISO VIEW SCALE: 1/2"=1'-0"



FRONT VIEW SCALE: 1/2"=1'-0"



SIDE VIEW SCALE: 1/2"=1'-0"