

Dash

DSTH10

Thermostatic Control Valve Trim



SHOWN IN THERMOSTATIC CONTROL VALVE TRIM | DSTH10

TECHNICAL DETAILS

ADA Compliance: Yes
 Depth/Width: 111 mm
 Escutcheon Primary Material: Brass
 Fittings Hole Diameter: 133 mm
 Installation Type: Wall Mounted
 Length: 160 mm
 Primary Material: Brass
 Suggested Application: Bath

INSPIRATION

An imaginative blend of art and function, Dash pays homage to design elements of the 1930s with pared-down shapes, softened curves and minimal details.

CODES & STANDARDS

State of MA

PRODUCT FEATURES

Metal Lever Handle

Allows bather to adjust temperature of all waterway outlets

Stocked in Nickel, Chrome, Unlacquered Brass, and Matte Nickel finishes

Requires valve rough GUTH37(USA) or GU37TH(UK) sold separately

CERTIFICATIONS



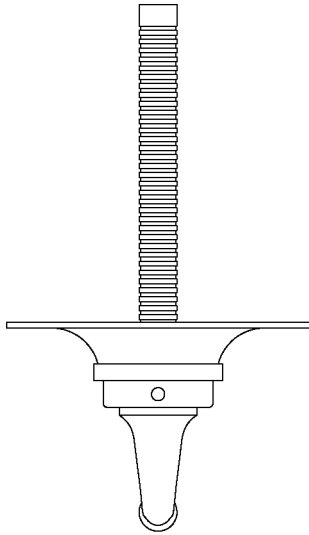
PRODUCT (NOTES)

Product Requires Universal 3/4" Thermostatic Valve [GUTH37]. Valve Sold Separately.

Dash

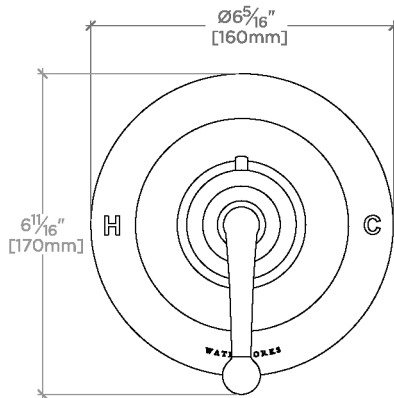
DSTH10

Thermostatic Control Valve Trim



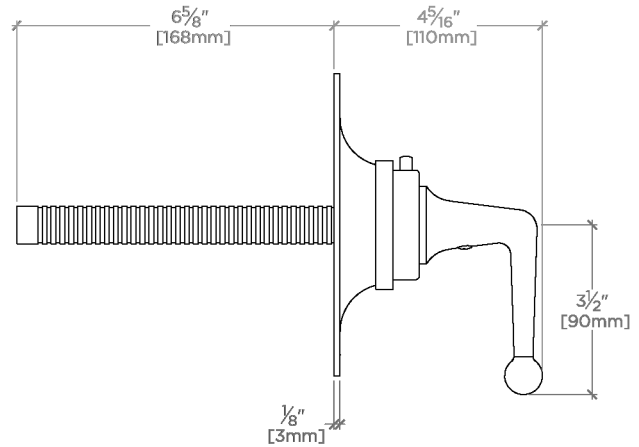
TOP VIEW

SCALE: 3"=1'-0"



FRONT VIEW

SCALE: 3"=1'-0"



SIDE VIEW

SCALE: 3"=1'-0"