

Portsmouth

PHHW04

Portsmouth 4" Pull



SHOWN IN PORTSMOUTH 4" PULL | PHHW04

TECHNICAL DETAILS

Height: 57 mm
Length: 125 mm
Primary Material: Brass

INSPIRATION

Imbued with the spirit of fine 18th-century American furniture hardware, Portsmouth pulls retain the authentic heft and hand-polished character of period originals. This thoughtful reinterpretation honors historical proportion while meeting contemporary demands.

CODES & STANDARDS

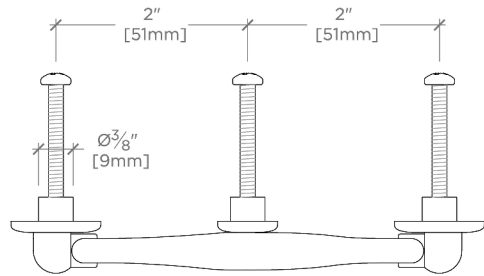
PRODUCT FEATURES

- Solid Brass
- Cast Metal
- Hand-polished
- Includes fixing screws

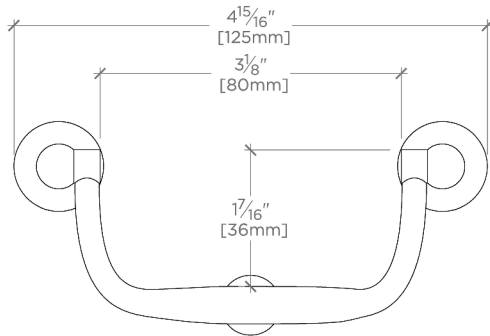
CERTIFICATIONS

Replacement Screws available
PRODUCT (NOTES)

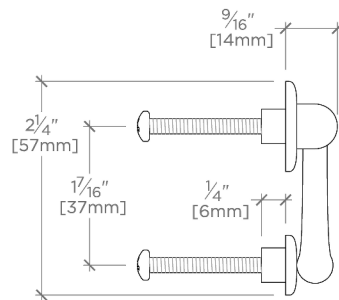
Portsmouth 4" Pull



TOP VIEW SCALE: 6"=1'-0"



FRONT VIEW SCALE: 6"=1'-0"



SIDE VIEW SCALE: 6"=1'-0"