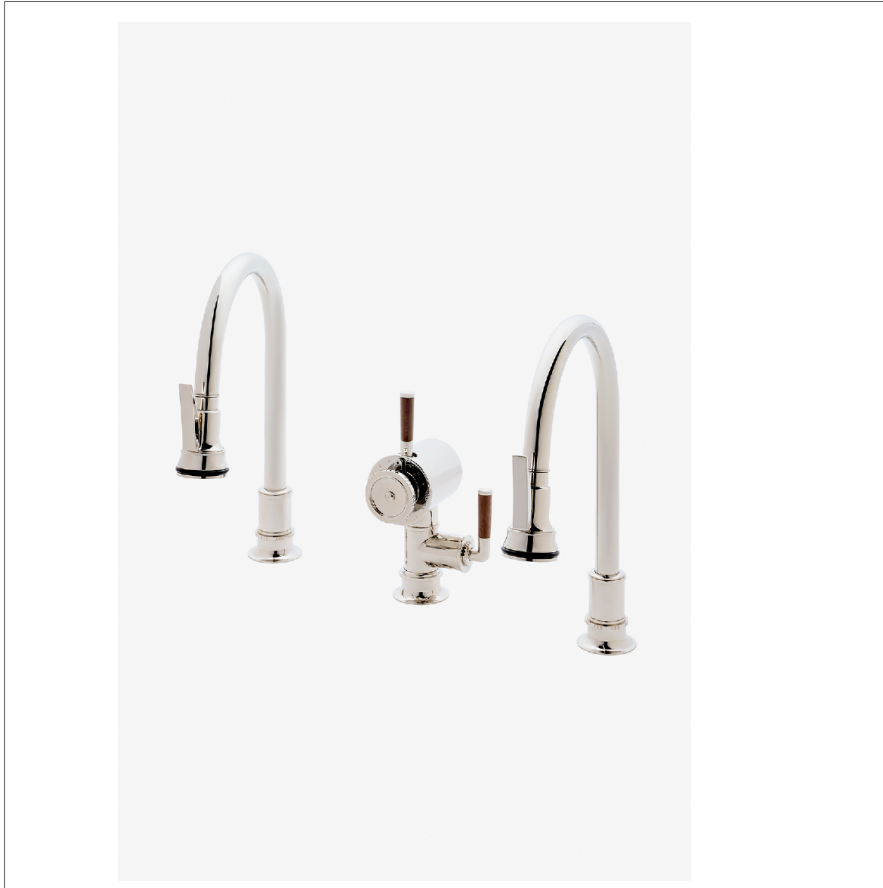


Henry Chronos

CKM614

Henry Chronos Double Gooseneck Integrated Pull Spray Kitchen Faucet with Walnut Lever Handles



SHOWN IN HENRY CHRONOS DOUBLE GOOSENECK INTEGRATED PULL SPRAY KITCHEN FAUCET WITH WALNUT LEVER HANDLES | CKM614

TECHNICAL DETAILS

ADA Compliance: Yes
 Adjustable Versus Fixed Spray: Adjustable Spray
 Deck Thickness Maximum: 70 mm
 Fittings Hole Diameter: 38 mm
 Handshower Spray Hose Length: 1.5 m
 Inlet Connection Size: 3/8"
 Inlet Connection Type: Compression Connection
 Hoses
 Restricted Maximum Flow Rate: 6.6 liters/min
 Spout Swivel: Y
 Spray Included In Unit: Y
 Valve Material: Brass and Ceramic
 Water Pressure Maximum: 6.0 bar
 Water Pressure Minimum: 1.5 bar
 Water Pressure Recommended: 3.0 bar

INSPIRATION

Inspired by dive watches, Henry Chronos radiates design prowess and technical precision. Chronos retains the design integrity of our original, iconic Henry collection, while imbuing it with modern details and exquisite materials.

CODES & STANDARDS

CKM614X, NSF/ANSI/CAN 61:Q < 1, NSF/ANSI/CAN 372, ASME A112.18.1/CSA B125.1

PRODUCT FEATURES

Features Lever Handles

Stocked in Chrome, Nickel, and Brass

Available in 1.75 gpm (6.6 L/min) flow rate

Features thermostatic temperature control, desired temperature can be preset by using the center wheel handle while top lever diverts water between either spout

Pull-down sprayhead with dual function, allows the use to switch between aerated stream and jet spray

CERTIFICATIONS

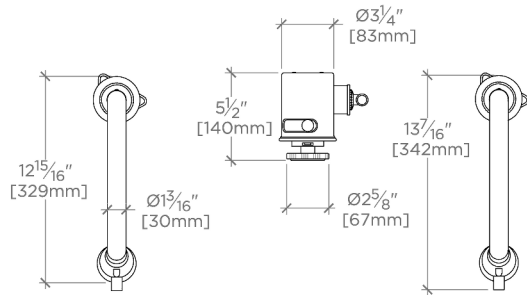


PRODUCT (NOTES)

Henry Chronos

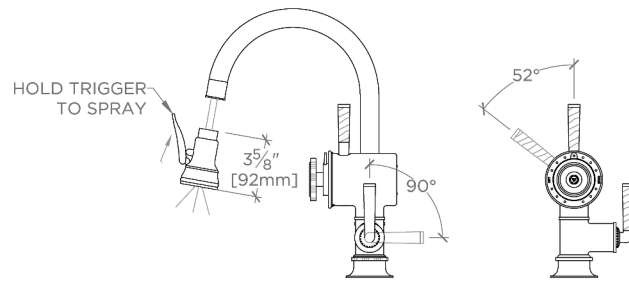
CKM614

Henry Chronos Double Gooseneck Integrated Pull Spray Kitchen Faucet with Walnut Lever Handles

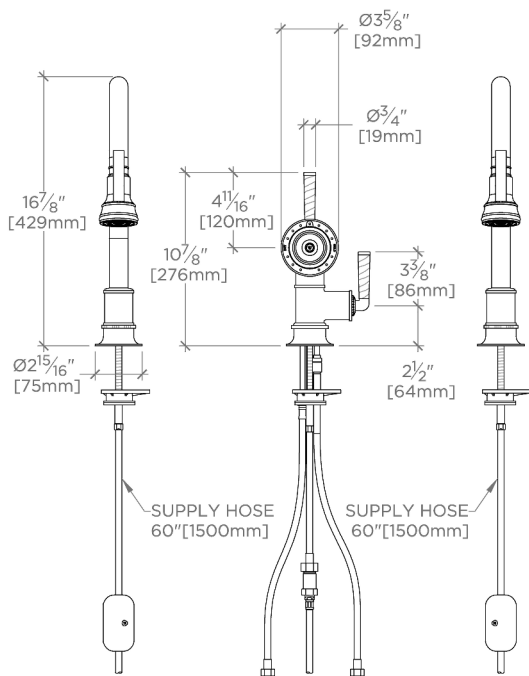


TOP VIEW

SCALE: 1"=1'-0"

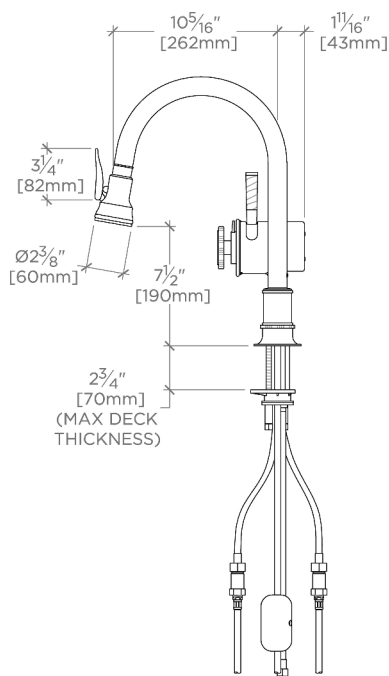


HANDLE OPERATION



FRONT VIEW

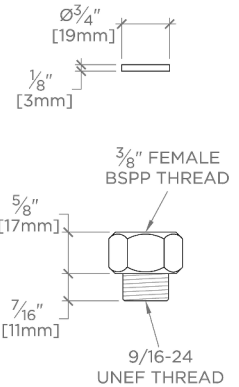
SCALE: 1"=1'-0"



SIDE VIEW

SCALE: 1"=1'-0"

NOTE:
ADAPTER AND GASKET
(x2) INCLUDED -
INTERNATIONAL USE
ONLY



NOT TO SCALE