

## Opus

OPTH10

Opus Thermostatic Control Valve Trim with Metal Lever Handle



SHOWN IN OPUS THERMOSTATIC CONTROL VALVE TRIM WITH METAL LEVER HANDLE | OPTH10

### TECHNICAL DETAILS

ADA Compliance: Yes  
Depth/Width: 87 mm  
Height: 149 mm  
Inlet Connection Type: O.D. Supply Tubing  
Integrated Diverter: N  
Length: 149 mm  
Primary Material: Brass  
Suggested Application: Bath

### INSPIRATION

Defined by clean geometry and refined detailing, the Opus collection unites fittings, washstands, and accessories in a study of sculptural form. Each piece conveys quiet strength and architectural clarity, enhancing any interior from traditional to contemporary.

### CODES & STANDARDS

ASME A112.18.1/CSA B125.1, State of MA

### PRODUCT FEATURES

Brass material is used for trim and valve component parts.

Eased curves and reflective forms carry the message of cleanliness and clarity.

An extensive range of fittings, fixture and accessory options for the lavatory, shower, bathtub.

### CERTIFICATIONS

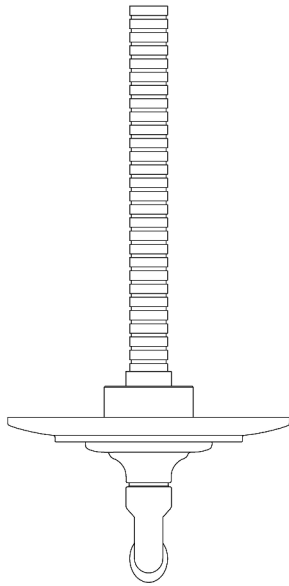


### PRODUCT (NOTES)

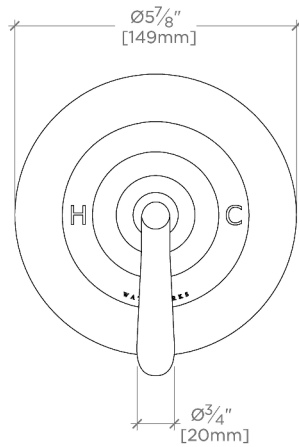
## Opus

OPH10

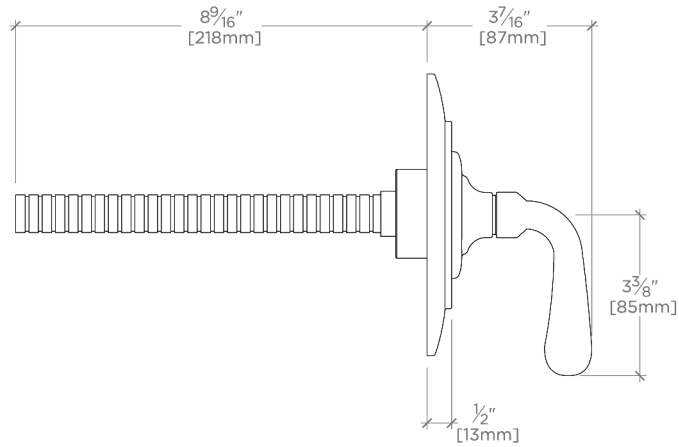
Opus Thermostatic Control Valve Trim with Metal Lever Handle



TOP VIEW SCALE: 3"=1'-0"



FRONT VIEW SCALE: 3"=1'-0"



SIDE VIEW SCALE: 3"=1'-0"