

DASH

DSTH20

Dash Metal Cross Handle Thermostatic with Metal Cross Handle Shutoff Trim



SHOWN IN DASH METAL CROSS HANDLE THERMOSTATIC WITH METAL CROSS HANDLE SHUTOFF TRIM | DSTH20

TECHNICAL DETAILS

ADA Compliance: Yes
 Depth/Width: 4 1/2"
 Escutcheon Primary Material: Brass
 Fittings Hole Diameter: 5 1/4"
 Handle Spread Maximum: 5 11/16"
 Handle Spread Minimum: 5 11/16"
 Handle Turn Angle: Quarter Turn
 Height: 12 7/16"
 Installation Type: Wall Mounted
 Integrated Diverter: N
 Length: 6 3/4"
 Number Of Handles: Two
 Primary Material: Brass
 Suggested Application: Bath

INSPIRATION

A blend of art and function, Dash pays homage to design elements of the 1930s with pared-down shapes, softened curves and minimal details.

CODES & STANDARDS

State of MA

PRODUCT FEATURES

Metal Cross Handle

The thermostatic valve and shutoff trims are housed neatly together on an oval back plate for a clean install in the shower.

Stocked in Nickel, Chrome, Unlacquered Brass, and Matte Nickel finishes

Requires valve rough GUTH48(USA) or GU48TH(UK) sold separately

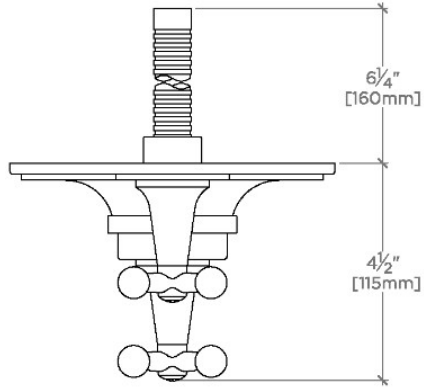
CERTIFICATIONS

Product Requires Universal Thermostatic Valve with
PRODUCT NOTE: Universal Thermostatic Valve [GUTH48]. Valve Sold Separately.

DASH

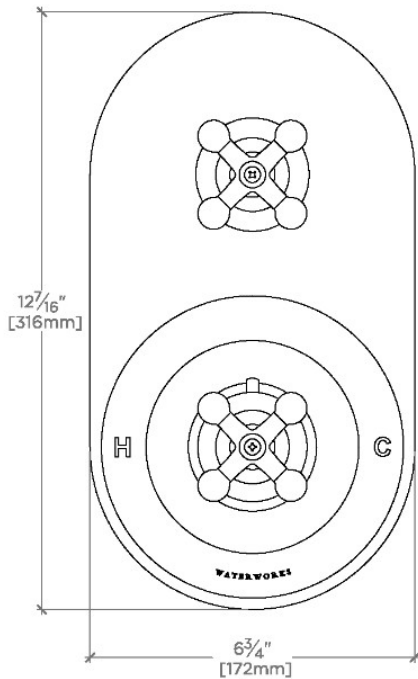
DSTH20

Dash Metal Cross Handle Thermostatic with Metal Cross Handle Shutoff Trim



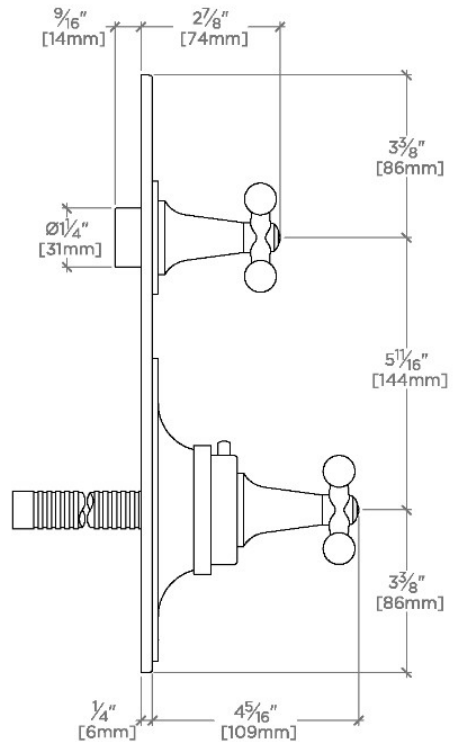
TOP VIEW

SCALE: 3"=1'-0"



FRONT VIEW

SCALE: 3"=1'-0"



SIDE VIEW

SCALE: 3"=1'-0"