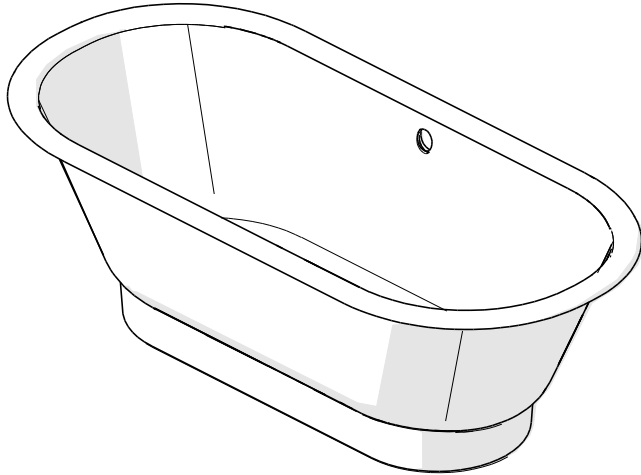


STYLE No. SNTB67**SPECIFICATIONS:**

Adjustable Levelers / Feet: No
 Assembly / Configuration: One Piece
 Bathing Type: Bathing and Soaking
 Bottom Angle / Pitch: 1°
 Depth to Overflow: 13 1/2" [342mm]
 Drain Hole Depth: 1 1/4" [32mm]
 Drain Hole Diameter: 2" [51mm]
 Depth / Width: 31" [787]
 Height: 22" [559mm]
 Length: 67" [1701mm]
 Overflow Hole Diameter: 2.0 [51mm]
 Overflow Opening: Yes
 Single or Double Ended: Double Ended
 Water Capacity: 50 gallons [190 Liters]

REQUIRED PLUMBING DETAILS:

Universal Drain Plug Waste and Overflow Drain
 STYLE No. UNWO10

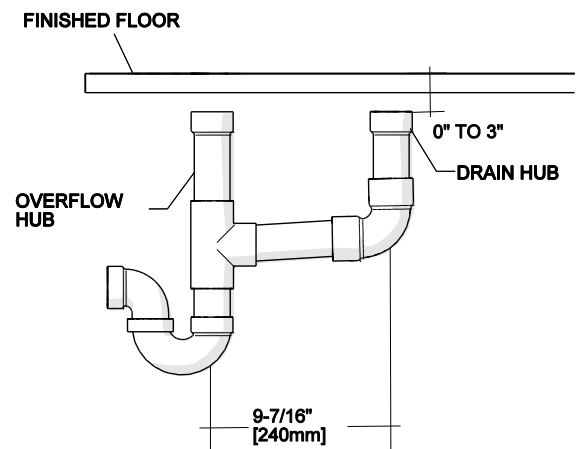
IMPORTANT:

- Immediately after receiving the bathtub and removal of packing, you MUST inspect the unit for freight damage. Any claims for damage, whether apparent or hidden, must be made to the carrier immediately in order for them to assume all associated costs. Should inspection reveal any defect in the finish, do not install the bathtub. Damage or defect to the finish claimed after the bathtub is installed is excluded from the warranty. The warranty DOES NOT cover labor or materials to remove or reinstall the bathtub.
- To ensure this product is installed properly, you must read and follow these guidelines.
- The owner/user of this product must keep this information for future reference.
- All final connections are made below the finished floor. Accessibility below the finished floor is recommended.

- For installations that have access from below the finished floor, trap adapters can be used instead of the slip joint gasket supplied with the Universal Drain Plug Waste and Overflow Drain (sold separately).
- This product must be installed by a professional licensed contractor. Be sure your installation conforms to all federal, state, and local codes.
- Inspect this product to assure it is the correct model and you have all parts required for proper installation. Take all necessary precautions to ensure the tub is protected during installation.
- Ensure the bathtub is properly supported by the skirt and adequate floor support is provided.
- The use of certain plumber's putty may stain stone or tile surfaces.
- Installations that have access from below the finished floor, trap adapters can be used instead of the SLIP JOINT GASKETS
- Universal Waste and Overflow Drain, Style No. UNWO10 is sold separately.

ROUGH-IN:

- See Figure - 01 for Steps 1 and 2.

**FIGURE - 01**

1. Determine the placement of the BATHTUB, mark the floor at the center point of the drain opening, and drill a hole through the floor to accommodate the drain.
2. Rough in a 1-1/2" DWV system (not supplied) with a spread of 9-7/16". Assure all DWV system pipes and fittings are well supported to eliminate the possibility of shifting. Be sure the HUBS are 0 to 3" from the finished floor. If there is no access below the floor, position the HUBS as close to the finished floor as possible for easier installation. See FIGURE - 01.

CUTTING TAIL PIECES TO LENGTH:

- Place SLIP JOINT GASKETS in DRAIN HUBS.
- Measure and cut the OVERFLOW RISER TUBE and the DRAIN TAILPIECE so that they will extend 1" [25mm] past the SLIP JOINT GASKETS when installed. See FIGURE - 02.

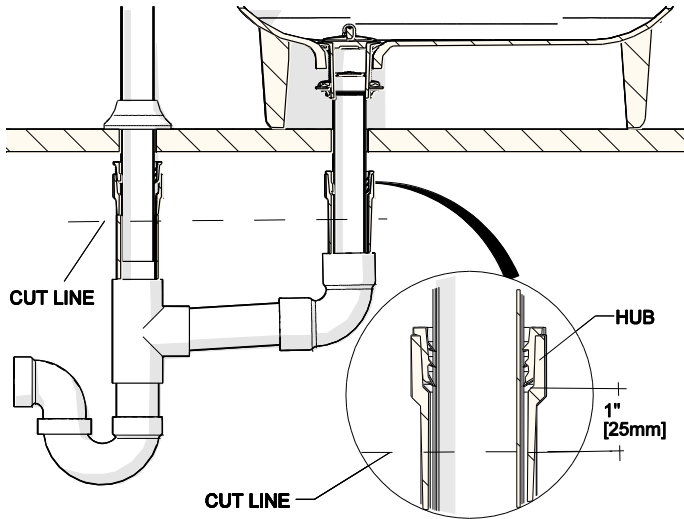


FIGURE - 02

TUB INSTALLATION:

- Cover the floor with a pad or other protective material and gently rest the BATHTUB on its side to allow for final drain and overflow installation.
- See Figure - 03 for Steps 6 - 9.

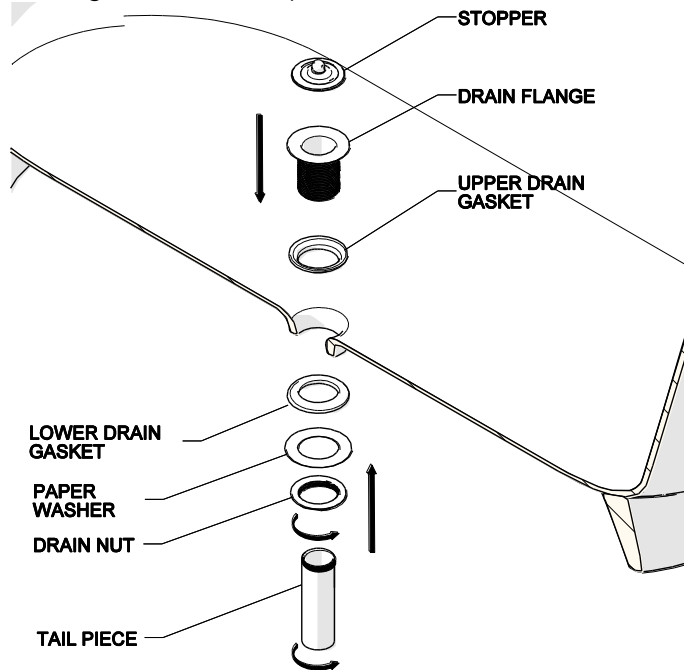


FIGURE - 03

- Unthread the TAILPIECE from the DRAIN FLANGE, then unthread the DRAIN NUT and remove the LOWER DRAIN GASKET, and the PAPER WASHER.
 - Apply a generous bead of silicone or putty to the UPPER DRAIN GASKET, and set the DRAIN FLANGE in the tub drain opening.
 - Apply a bead of silicone to the LOWER DRAIN GASKET, and install on the DRAIN FLANGE along with the PAPER WASHER, and secure with the DRAIN NUT.
 - Install the TAILPIECE into the DRAIN FLANGE. Thread sealant is recommended on the TAILPIECE threads.
- See Figure - 04 for Steps 10 - 13.

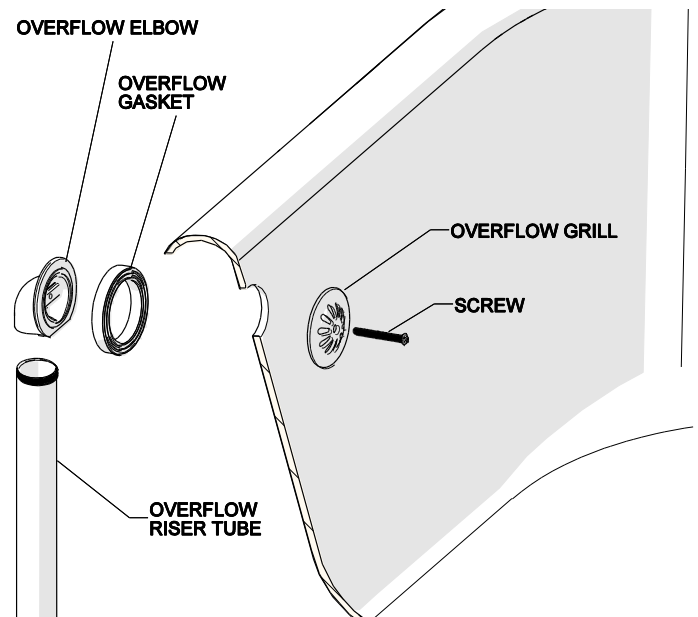


FIGURE- 04

- Remove OVERFLOW RISER PIPE from OVERFLOW ELBOW and apply thread sealant or pipe dope to threads. Re install elbow on to OVERFLOW RISER, and securely tighten.
- Apply a generous bead of silicone adhesive to both sides of the OVERFLOW GASKET.
- Assemble the OVERFLOW RISER to the overflow hole being sure to include the OVERFLOW GASKET, and OVERFLOW GRILL, then tighten SCREW
- Slide FLOOR ESCUTCHEON onto OVERFLOW RISER.

- See Figure 05 for Steps 14 - 16

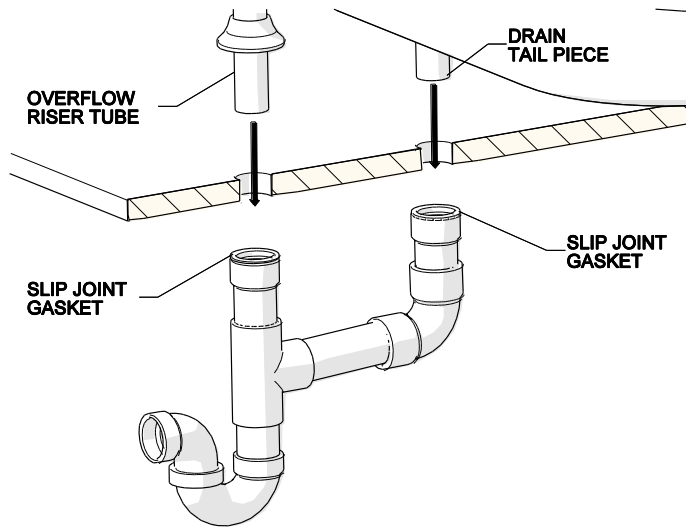


FIGURE - 05

14. Apply a generous coating of silicone sealant to both the inside and outside of SLIP JOINT GASKETS, and place them in the HUBS
 15. Position the TUB, so the TAILPIECE is positioned over the DRAIN HUB, and the OVERFLOW RISER is positioned over the OVERFLOW HUB
 16. Lower the TUB so the DRAIN TAILPIECE and OVERFLOW RISER slip into the SLIP JOINT GASKETS.
- NOTE: The silicone will act as a lubricant then act as a seal when it cures.
17. Verify the BATHTUB rests on its skirt and is level. If needed, add shims beneath the skirt.

FINISH AND INSPECT THE INSTALLATION:

18. Fill the BATHTUB with water to the point where water enters the overflow opening. Drain the BATHTUB while inspecting all connections above and below the flooring for leaks.
 19. Run a bead of tub and tile caulk around the bottom edge of the tub where it meets the finished floor and finished walls for alcove installation.
 20. Wipe away any excess caulk with a wet paper towel.
 21. Cover the BATHTUB surface with a liner or other form of protection until construction is completed.
- If further assistance is required, please contact Product Support at 1-800-927-2120 Monday through Friday, 8am - 7pm EST.

WARNING: The following basic safety precautions should always be followed when using your bathtub.

- Caution should always be exercised when entering or leaving the bathtub.
- DANGER: To reduce the risk of injury, do not permit children or persons with a disability to use the bathtub without close supervision.
- Keep all electrical appliances such as radios and hairdryers a safe distance from the bathtub.
- Do not use the bathtub when sleepy or drowsy, under the influence of alcohol or prescription medications or when overheated.