

## MANCHESTER

MRLVCU

Manchester Undermount Oval Vitreous China Lavatory Sink 19  
1/4" x 15 1/2" x 8"



SHOWN IN WHITE

### TECHNICAL DETAILS

ADA Compliance: When installed per ADA guidelines  
Bowl Shape: Oval  
Depth to Overflow: 114 mm  
Drain Hole Depth: 35 mm  
Drain Hole Diameter: 44 mm  
Depth / Width: 394 mm  
Height: 203 mm  
Installation Type: Undermount  
Length: 489 mm  
Number of Holes: Two Hole  
Outer Rim Shape: Oval  
Overflow Opening: Yes  
Primary Material: Vitreous China  
Suggested Application: Bath

### INSPIRATION

Our handcrafted Manchester sinks have been made in US by the same family for more than fifty years. Each sink reflects decades of fine craftsmanship and attention to detail available only from a small studio. From warm white to cool and crisp, Manchester sinks are available in countless sizes and shapes.

### CODES & STANDARDS

Code # MRCU14: ASME A112.19.9, CSA B45, State of MA

### PRODUCT FEATURES

This lavatory is made of vitreous china, which produces a strong, non porous, high gloss product

Custom colors, design and sizes are available through our made-to-order program

Hand crafted in the United States

### PRODUCT (NOTES)

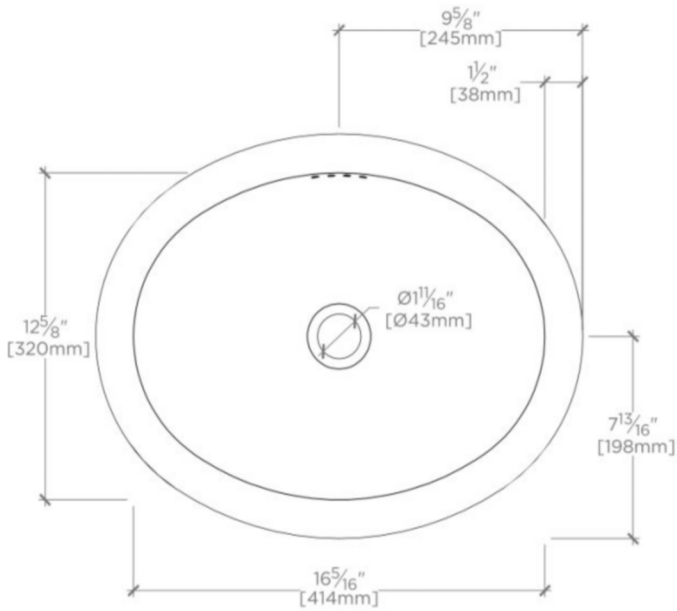
Dimensions of sinks are nominal and are subject to slight variations.

# WATERWORKS

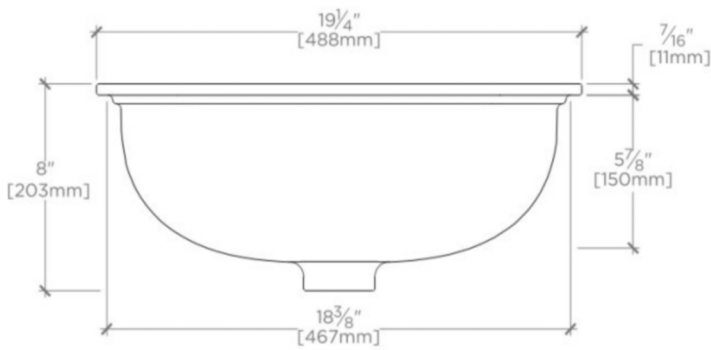
## MANCHESTER

MRLVCU

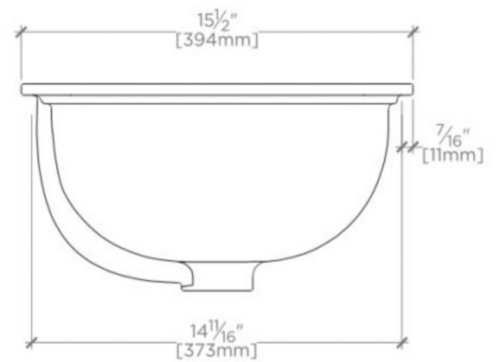
Manchester Undermount Oval Vitreous China Lavatory Sink 19  
1/4" x 15 1/2" x 8"



SCALE: 1/2"=1'-0"



SCALE: 1/2"=1'-0"



SCALE: 1/2"=1'-0"