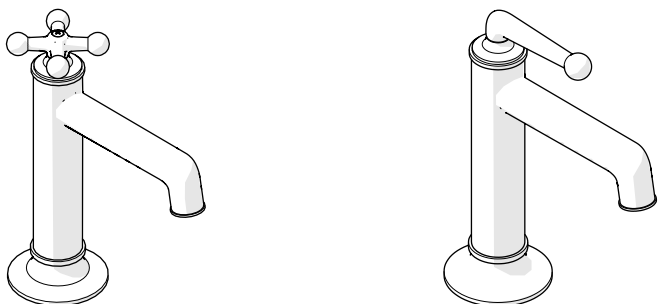


INSTALLATION GUIDELINES

ONE HOLE HIGH PROFILE BAR FAUCET

DASH ONE HOLE HIGH PROFILE BAR FAUCET WITH METAL CROSS HANDLE



STYLES	
DSKM40	DSKM50

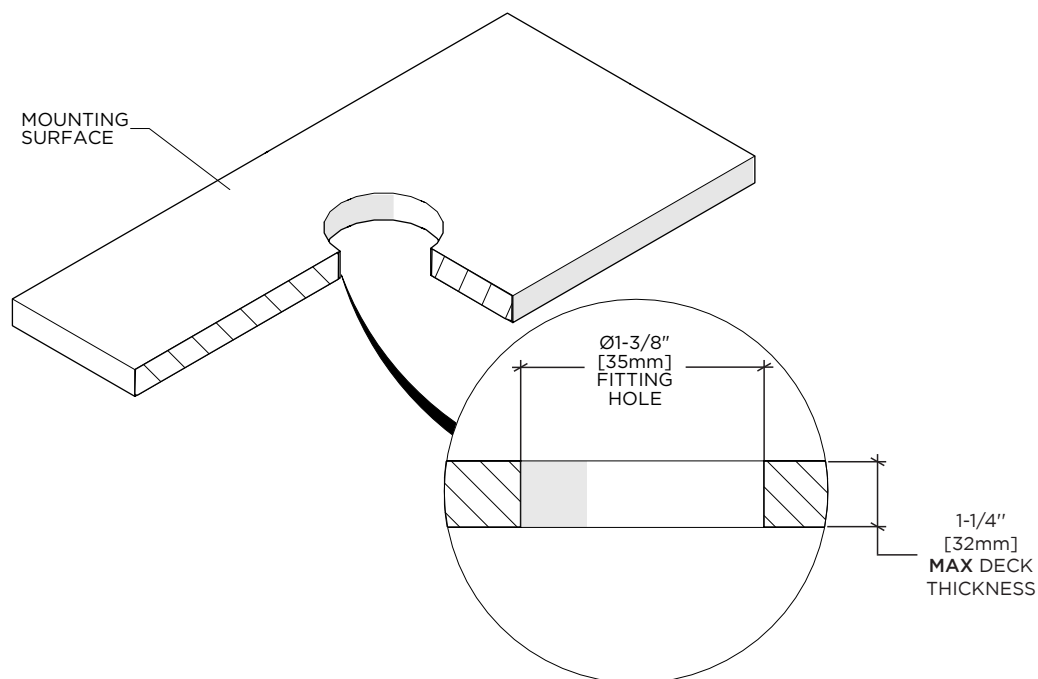
IMPORTANT:

- To ensure this product is installed properly, you must read and follow these guidelines.
- The owner/user of this product must keep this information for future reference.
- This product must be installed by a professional licensed contractor.
- Be sure your installation conforms to federal, state, and local codes. In the State of Massachusetts, all installations must comply with the rules and regulations set forth within 248 CMR.
- Inspect this product to ensure you have all the parts required for proper installation.
- Product is **solid partially** assembled but shown fully disassembled for illustrative and service purposes only.
- Use only a strap wrench or protected/smooth-jaw wrench on any finished surface.
- The use of certain plumber's putty may stain stone or tile surfaces.
- If further assistance is required, please contact Product Support at 1-800-927-2120 Monday through Friday, 8am - 6pm EST.
- Refer to the separate Service Parts Documents for available replacement parts.

TECHNICAL DETAILS:

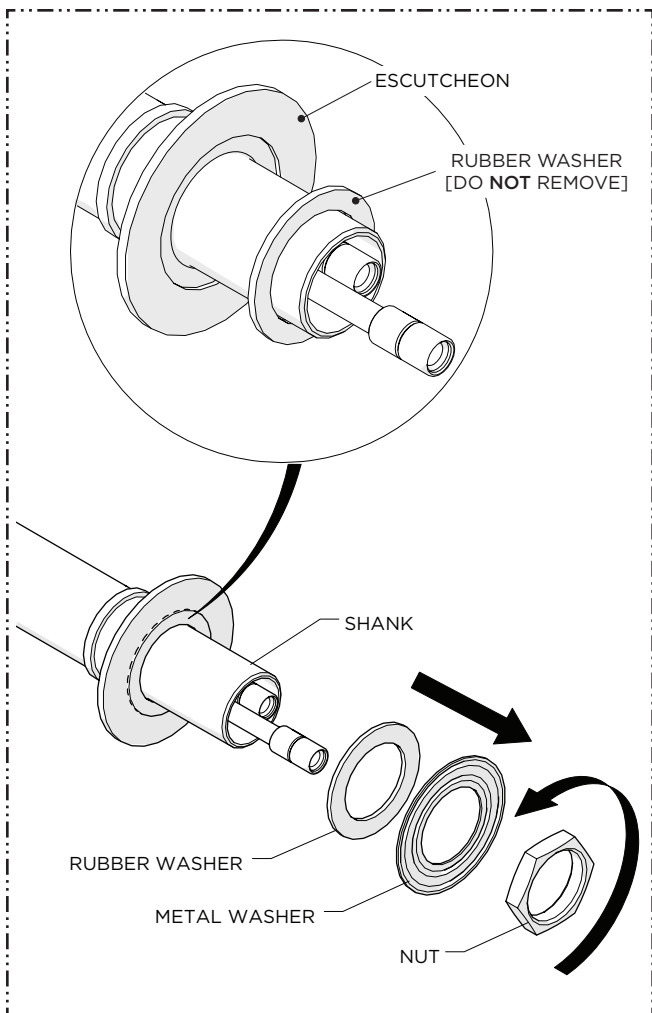
DETAIL	SPECIFICATION
FITTING HOLE DIAMETER	Ø1-3/8" [35mm]
HANDLE TURN ANGLE	QUARTER TURN
INLET CONNECTION	3/8" COMPRESSION CONNECTOR HOSES †
DECK THICKNESS	1-1/4" [32mm] MAXIMUM
SPOUT REACH	5-1/4" [133mm]
SPOUT SWIVEL	NO
WATER PRESSURE RANGE	20psi [1.5 bar] MINIMUM
	85psi [6.0 bar] MAXIMUM
WATER PRESSURE RECOMMENDED	45psi [3.0 bar]

† For **INTERNATIONAL USE ONLY**, two 9/16"-24 UNEF MALE x 3/8" FEMALE BSPP ADAPTERS and RUBBER WASHERS are provided.



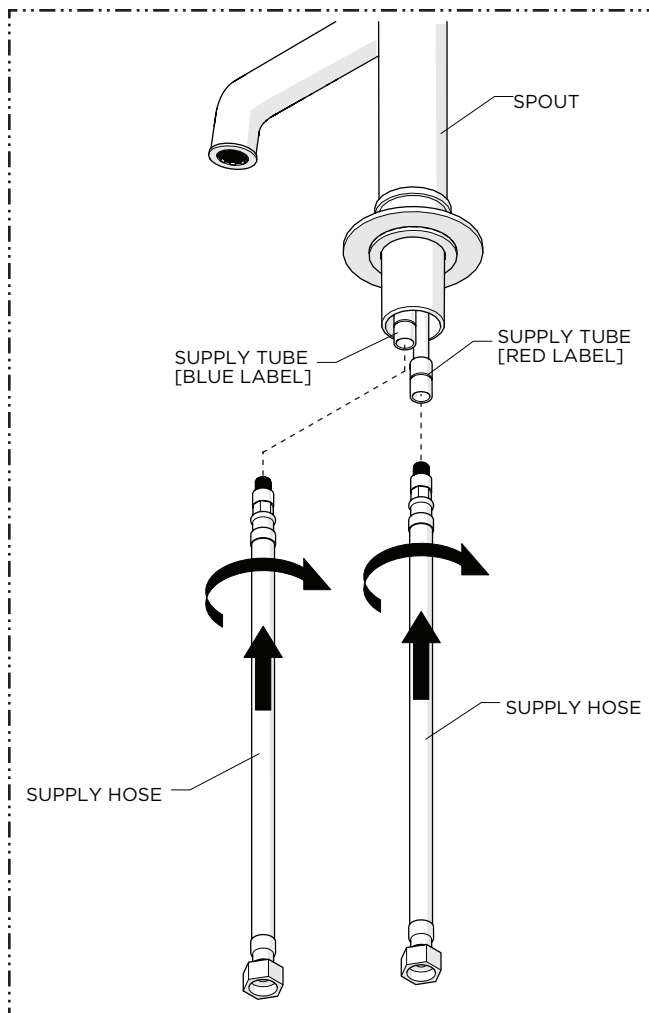
INSTALLATION GUIDELINES

ONE HOLE HIGH PROFILE BAR FAUCET



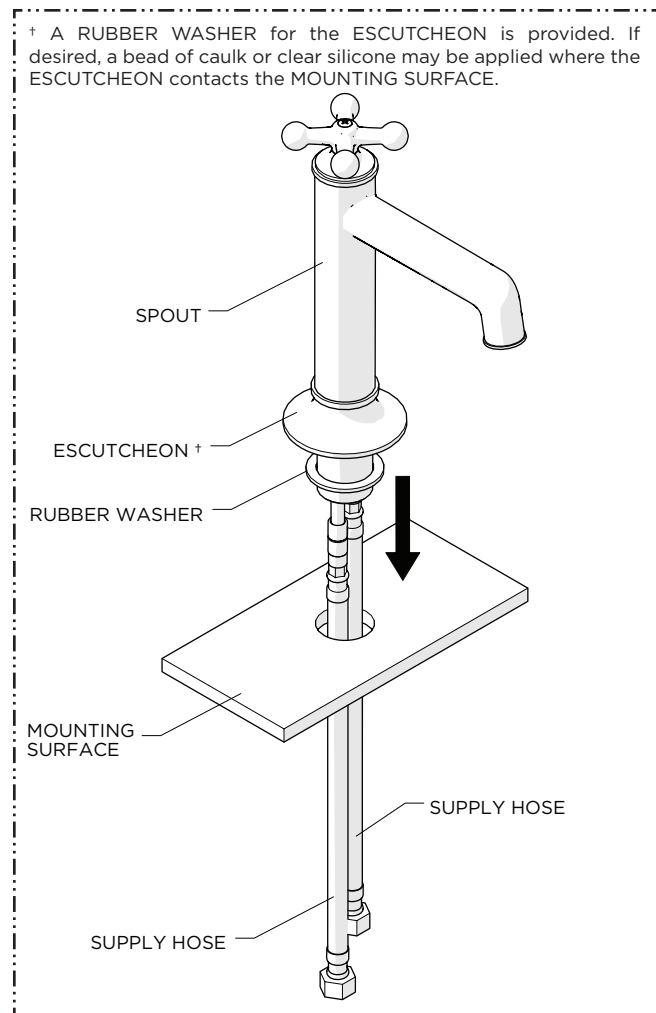
1. Unthread and remove the NUT from the SHANK then remove the METAL and RUBBER WASHERS.

NOTE: Do **NOT** remove the RUBBER WASHER beneath the ESCUTCHEON.



2. Thread and securely tighten the SUPPLY HOSES onto the SUPPLY TUBES installed on the SPOUT.

NOTE: The HOSES are M10 x 3/8" COMPRESSION CONNECTOR HOSES and the SUPPLY TUBES are marked BLUE for cold and RED for hot.

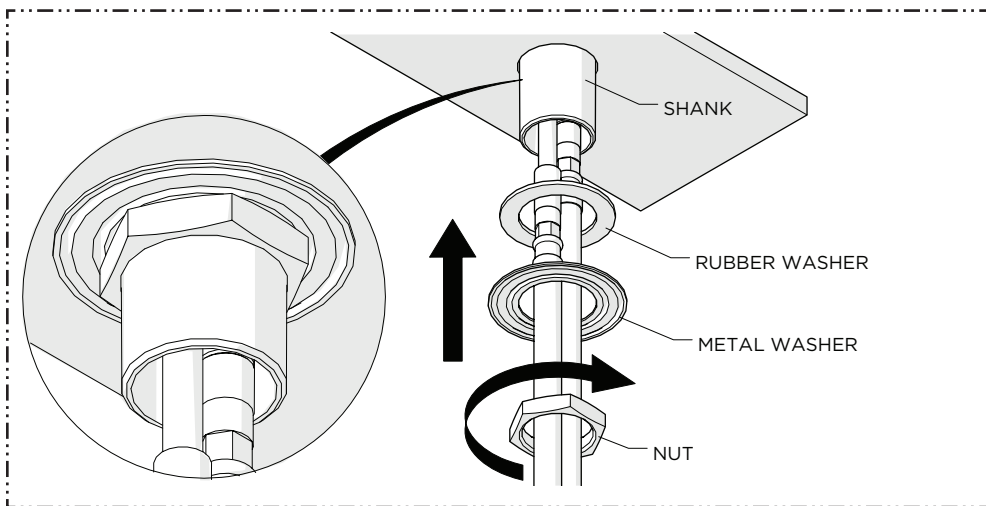


† A RUBBER WASHER for the ESCUTCHEON is provided. If desired, a bead of caulk or clear silicone may be applied where the ESCUTCHEON contacts the MOUNTING SURFACE.

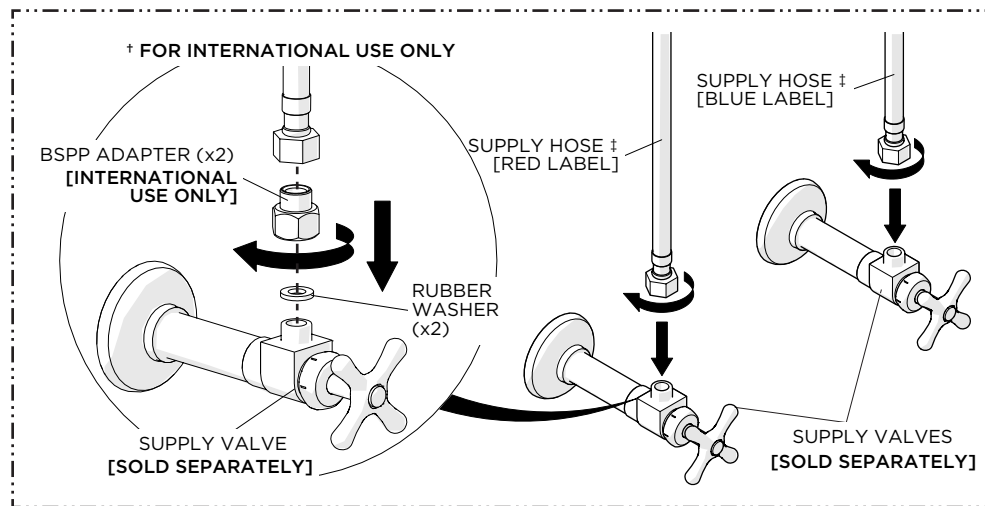
3. Insert the SPOUT through the hole on the MOUNTING SURFACE making sure the RUBBER WASHER provided is beneath the ESCUTCHEON.

SERVICE GUIDELINES

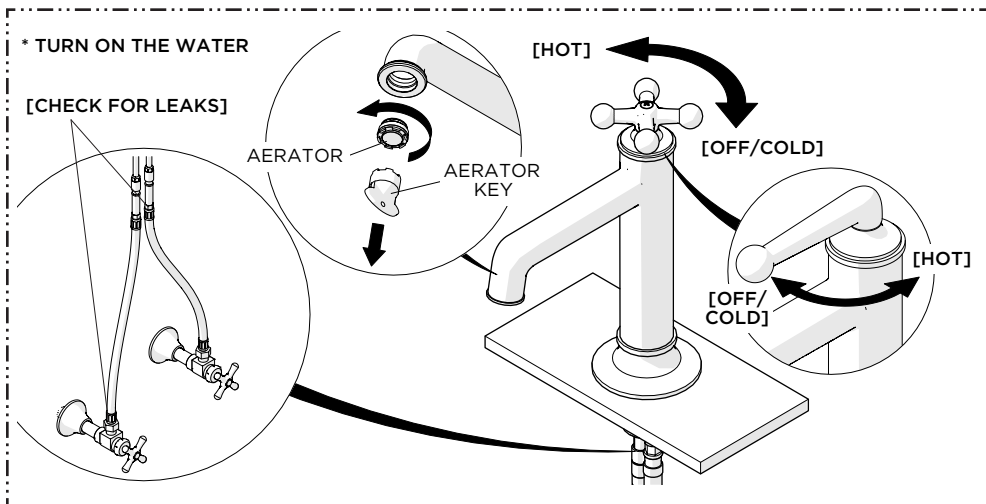
FLOOR MOUNTED EXPOSED TUB FILLER



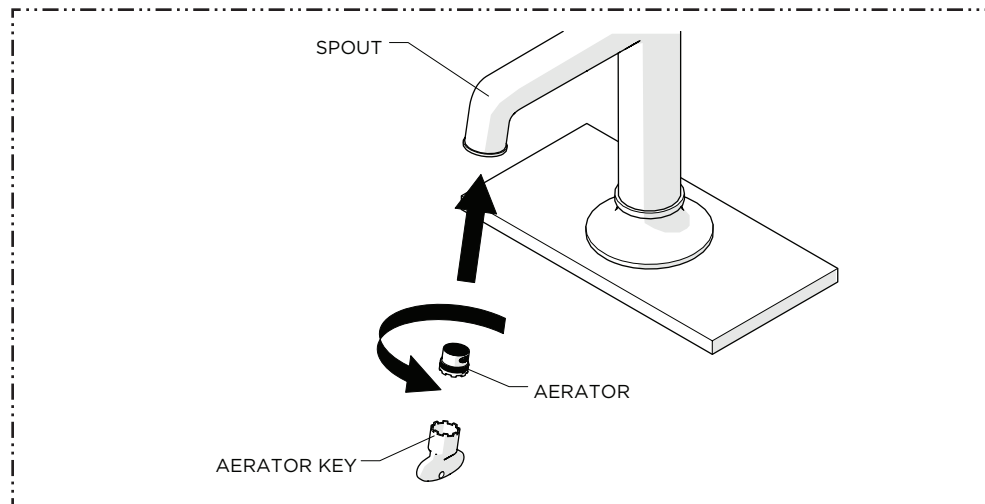
4. Re-attach the RUBBER and METAL WASHERS then thread and securely tighten the NUT onto the SHANK.



5. Connect the SUPPLY HOSES to the SUPPLY VALVES (sold separately).
NOTE: The HOSES are connected to SUPPLY TUBES that are marked BLUE for cold and RED for hot.
 † **INTERNATIONAL INSTALLATIONS ONLY:** Using the RUBBER WASHERS provided, thread and securely tighten the BSPP ADAPTERS onto the SUPPLY VALVES then thread and securely tighten the SUPPLY HOSES onto the ADAPTERS.



6. Unthread and remove the AERATOR from the SPOUT using the KEY provided then turn on the water and operate the HANDLE to ensure it functions properly and flush out any debris in the supply lines. Check all connections for leaks and turn off the water.

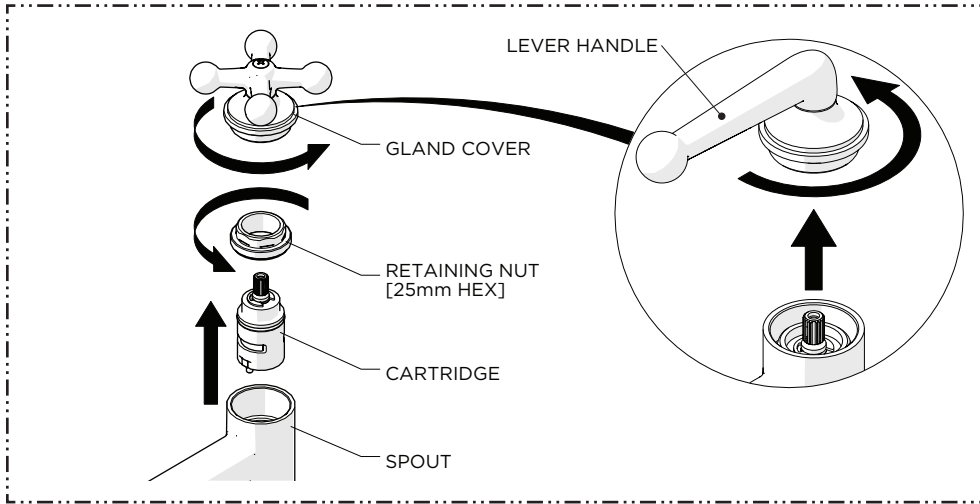


7. Re-install the AERATOR.

SERVICE GUIDELINES

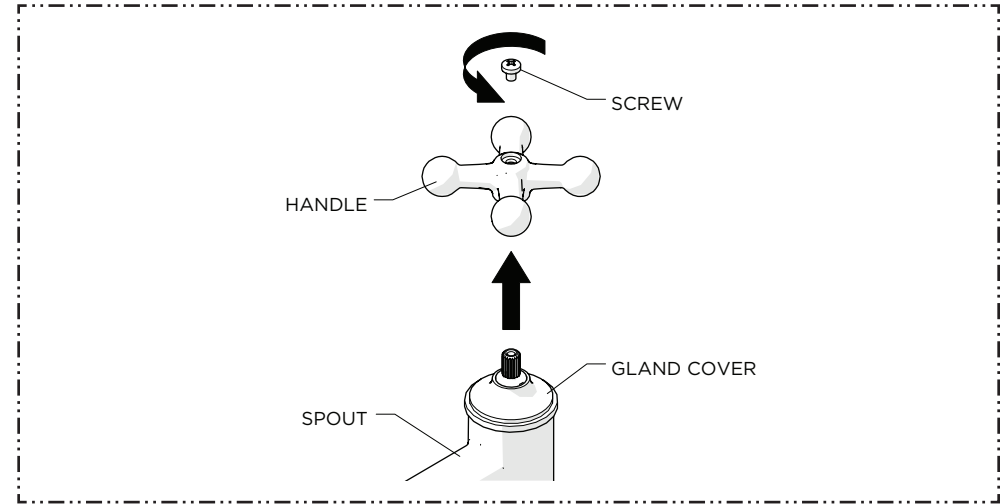
FLOOR MOUNTED EXPOSED TUB FILLER

WATERWORKS



SERVICING THE CARTRIDGE:

1. Unthread and remove the GLAND COVER and RETAINING COLLAR from the SPOUT then remove the CARTRIDGE.



SERVICING THE HANDLE: CROSS ONLY

1. Unthread and remove the FINISHED SCREW then remove the HANDLE.