

## Opus

OPTH01

Opus Thermostatic Control Valve Trim with Crystal Egg Handle



SHOWN IN OPUS THERMOSTATIC CONTROL VALVE TRIM WITH CRYSTAL EGG HANDLE | OPTH01

### TECHNICAL DETAILS

ADA Compliance: Yes  
Depth/Width: 92 mm  
Height: 149 mm  
Inlet Connection Type: O.D. Supply Tubing  
Integrated Diverter: N  
Length: 149 mm  
Primary Material: Brass  
Suggested Application: Bath

### INSPIRATION

Defined by clean geometry and refined detailing, the Opus collection unites fittings, washstands, and accessories in a study of sculptural form. Each piece conveys quiet strength and architectural clarity, enhancing any interior from traditional to contemporary.

### CODES & STANDARDS

ASME A112.18.1/CSA B125.1, State of MA

### PRODUCT FEATURES

Brass material is used for trim and valve component parts.

Two distinctly different materials, metal and crystal, have been combined to create an elegant fitting.

### CERTIFICATIONS

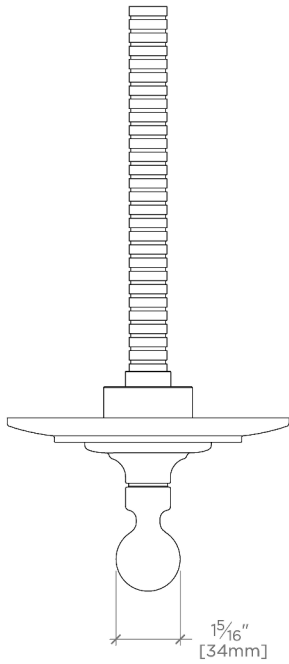


### PRODUCT (NOTES)

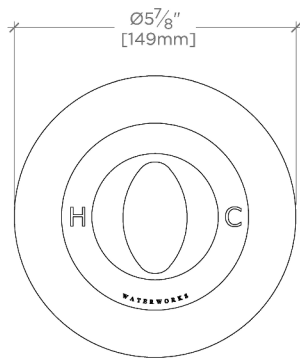
## Opus

OPTH01

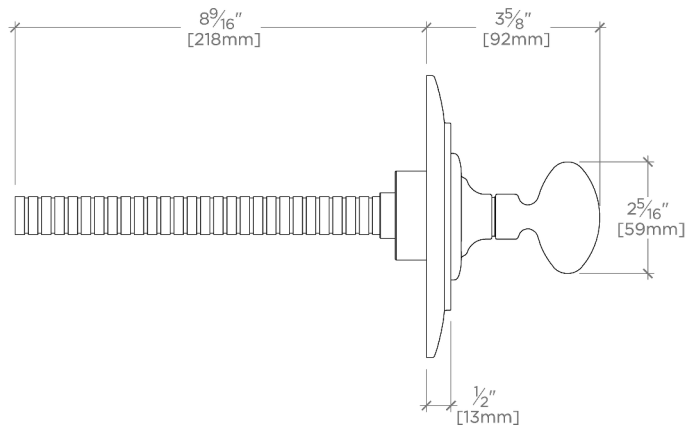
Opus Thermostatic Control Valve Trim with Crystal Egg Handle



TOP VIEW SCALE: 3"=1'-0"



FRONT VIEW SCALE: 3"=1'-0"



SIDE VIEW SCALE: 3"=1'-0"