

## Bond

BTH52A

Bond Tandem Series Integrated Thermostatic and Three Way Diverter Trim with Guilloche Lines Knob and Lever Handles



SHOWN IN BOND TANDEM SERIES INTEGRATED THERMOSTATIC AND THREE WAY DIVERTER TRIM WITH GUILLOCHE LINES KNOB AND LEVER HANDLES | BTH52A

### TECHNICAL DETAILS

ADA Compliance: Yes  
 Integrated Diverter: N  
 Number Of Holes: Two Hole  
 Primary Material: Brass

### INSPIRATION

Bond draws inspiration from the Aesthetic Movement, rare vintage lighters, and modern industrial design. The result is a contemporary collection with a soulful quality that inhabits the full range of modern style, from austere minimalism to warm contemporary.

### CODES & STANDARDS

ASME A112.18.1/CSA B125.1, State of MA

### PRODUCT FEATURES

Knob and Lever Handles

Allows bather to adjust temperature of all waterway outlets with a hot limit safety stop providing anti-scald protection

Features Linear Guilloche Etching Lever and Knob Handles

Stocked in Nickel and Brass

Requires valve rough sold separately

### CERTIFICATIONS

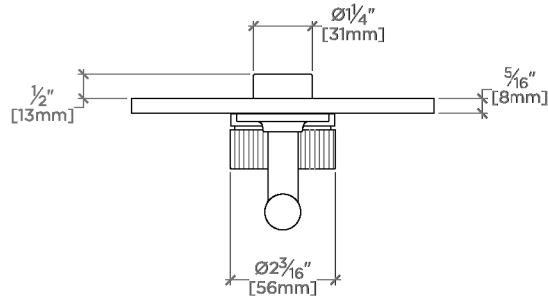


### PRODUCT (NOTES)

## Bond

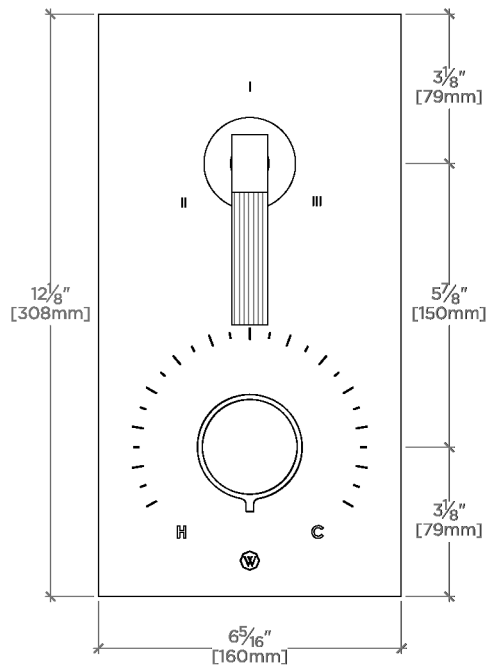
BTH52A

Bond Tandem Series Integrated Thermostatic and Three Way Diverter Trim with Guilloche Lines Knob and Lever Handles



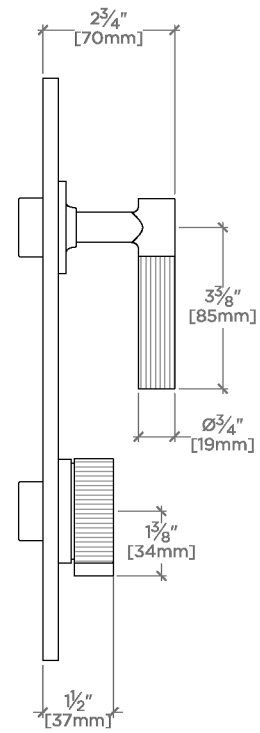
TOP VIEW

SCALE: 3"=1'-0"



FRONT VIEW

SCALE: 3"=1'-0"



SIDE VIEW

SCALE: 3"=1'-0"