

## AERO

Aero Wall Mounted Three Piece Paper Holder

AEPH01



### TECHNICAL DETAILS

---

Depth / Width: 95 mm  
Height: 64 mm  
Installation Type: Wall Mounted  
Length: 216 mm  
Primary Material: Brass

### INSPIRATION

---

Inspired by the stepped detail of 19th century telescopes, Aero is a combination of historical reference with a contemporary temperament. The result is original and modern, bringing a look of updated elegance.

### PRODUCT FEATURES

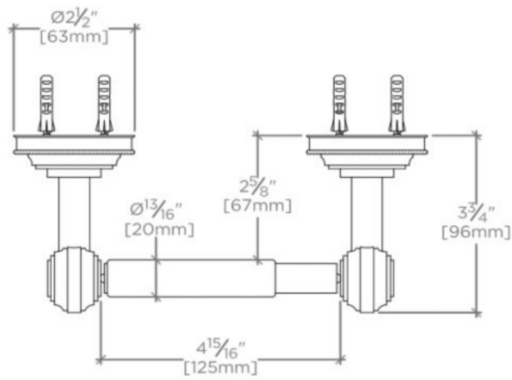
---

Solid brass construction  
All mounting hardware included  
Features signature stepped and gadrooned details on end posts  
Stocked in Chrome and Nickel

## AERO

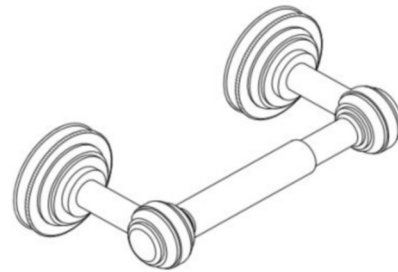
## AEPH01

Aero Wall Mounted Three Piece Paper Holder



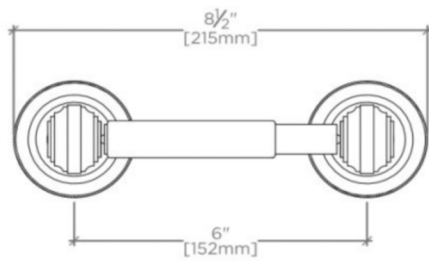
TOP VIEW

SCALE: 3"=1'-0"



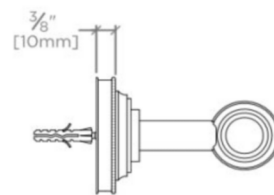
ISO VIEW

SCALE: 3"=1'-0"



FRONT VIEW

SCALE: 3"=1'-0"



SIDE VIEW

SCALE: 3"=1'-0"