

Easton

EAPB82

Easton Classic Pressure Balance Control Valve Trim with Lever Handle



SHOWN IN EASTON CLASSIC PRESSURE BALANCE CONTROL VALVE TRIM WITH LEVER HANDLE | EAPB82

TECHNICAL DETAILS

ADA Compliance: Yes
 Depth/Width: 76 mm
 Escutcheon Primary Material: brass
 Height: 152 mm
 Index Color Finish And Material: White Porcelain
 Index Marking: Blank
 Integrated Diverter: N
 Length: 149 mm
 Number Of Handles: One
 Primary Material: Brass
 Suggested Application: Bath

INSPIRATION

Rooted in classical Edwardian design, Easton is our most expansive collection—offering a comprehensive family of pieces that bring polished detail and timeless tradition to any setting. Revered for its exquisite proportions and impeccable scale, Easton is a trusted choice among designers.

CODES & STANDARDS

ASME A112.18.1/CSA B125.1, State of MA

PRODUCT FEATURES

Brass metal is used for all trim and valve components

The manufacturing process encompasses casting, turning, forging, hand-fitting and hand polishing.

Easton is our most comprehensive fittings family.

Easton has a clean-lined utilitarian profile, with a slightly elongated spout.

CERTIFICATIONS



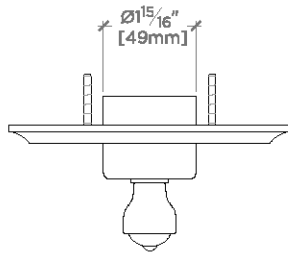
PRODUCT (NOTES)

Valve sold separately.

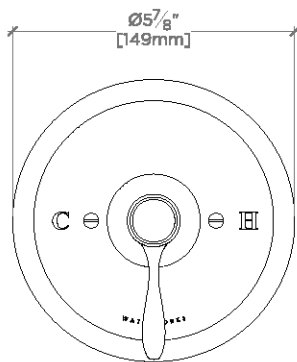
Easton

EAPB82

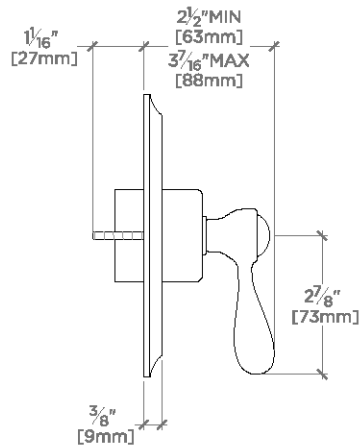
Easton Classic Pressure Balance Control Valve Trim with Lever Handle



TOP VIEW SCALE: 3"=1'-0"



FRONT VIEW SCALE: 3"=1'-0"



SIDE VIEW SCALE: 3"=1'-0"