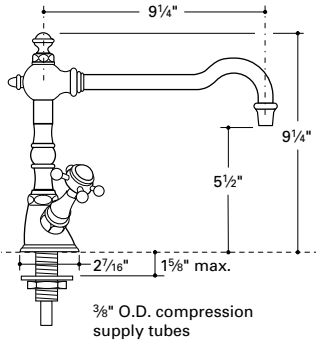


## JUKM 11



Note:  
Drilling hole size: 1 1/4"

## INSTALLATION GUIDELINES

- Use only a protected, smooth-jawed, or strap wrench on any finished surface.
- DO NOT use putty on deck fittings. Upper and lower washers are provided.
- Two couplings provided (10mm x 3/8" O.D.) for water supply connection.
- Assemble fitting to deck using lock nut and washer. Affix supply tubes to water supplies on supply stops.
- Check for leaks.
- After installation, unscrew and remove the aerator assembly. Carefully open the hot and cold valves fully to flush out any debris in the supply lines. Once the lines have been flushed, close the valves and reinstall the aerator assembly.
- For servicing valve stem: Pull out index assembly (held in place by friction O-ring), exposing screw for handle. Cover should be hand tight.
- If further assistance is required, please contact Product Support at 1-800-927-2120 (8am-7pm EST).

These guidelines have been prepared for the professional contractor to aid in the installation of:  
**JULIA KITCHEN MIXER (JUKM 11)**

All dimensions are based on original specifications and are subject to change and variation. Please consult your Design Associate for current specifications.