

ViaWorks 1/2" Clockwise Open Volume Control Valve



SHOWN IN VIAWORKS 1/2" CLOCKWISE OPEN VOLUME CONTROL VALVE | GUVC19

### TECHNICAL DETAILS

ADA Compliance: Yes  
 Depth/Width: 6 15/16"  
 Fittings Hole Diameter: 1 3/8"  
 Handle Turn Angle: Quarter Turn  
 Height: 2 9/16"  
 Inlet Connection Size: 1/2"  
 Inlet Connection Type: Female NPT  
 Length: 1"  
 Outlet Connection Size: 1/2"  
 Outlet Connection Type: Female NPT  
 Primary Material: Brass  
 Suggested Application: Bath  
 Valve Material: Ceramic  
 Water Pressure Maximum: 85.0 psi  
 Water Pressure Minimum: 20.0 psi  
 Water Pressure Recommended: 45.0 psi

### INSPIRATION

The ViaWorks collection encompasses all Waterworks valves, which are just as impeccably engineered as our legendary fittings and the finest the industry has to offer in terms of performance, features and functionality. ViaWorks valves are engineered with more than three generations of bath and kitchen expertise, each with installers and lifelong service in mind.

### CODES & STANDARDS

Code # GUSV19: State of MA, NSF

### PRODUCT FEATURES

Customize your bath experience with a clockwise open cartridge rough, for use with Waterworks wall valve trims

1/2" NPT female inlet and outlet with quarter turn functionality

Custom tile guard ensures precise tiling, while providing accessibility in servicing the valve.

Combine multiple volume control valves within a single shower to operate multiple shower components simultaneously

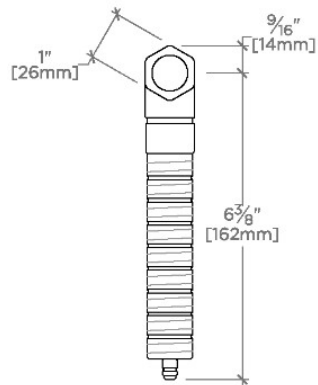
Made in Europe of Brass Construction

### CERTIFICATIONS

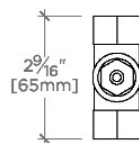


### PRODUCT (NOTES)

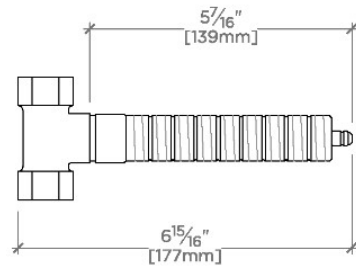
ViaWorks 1/2" Clockwise Open Volume Control Valve



TOP VIEW SCALE: 3"=1'-0"



FRONT VIEW SCALE: 3"=1'-0"



SIDE VIEW SCALE: 3"=1'-0"