

RIVERUN

RRLS21

Riverun Gooseneck Lavatory Faucet with Tri-Spoke Handles



SHOWN IN RIVERUN GOOSENECK LAVATORY FAUCET WITH TRI-SPOKE HANDLES | RRLS21

TECHNICAL DETAILS

ADA Compliance: Yes
 Deck Thickness Maximum: 1 13/16"
 Deck Thickness Minimum: 1/4"
 Drain Depth Maximum: 2"
 Drain Depth Minimum: 3/8"
 Drain Hole Diameter: 1 1/2"
 Drain Style: Push-Touch
 Fittings Hole Diameter: 1 3/8"
 Flow Restriction Options: 1.2
 Handle Spread Maximum: 12"
 Handle Spread Minimum: 8"
 Handle Turn Angle: Quarter Turn
 Inlet Connection Size: 1/2"
 Inlet Connection Type: Male with Supply Nut
 Inlet Supply Spread Maximum: 12"
 Inlet Supply Spread Minimum: 8"
 Number Of Holes: Three Hole
 Primary Material: Brass
 Restricted Maximum Flow Rate: 1.2 gpm
 Spout Swivel: N
 Valve Material: Ceramic
 Water Pressure Maximum: 85.0 psi
 Water Pressure Minimum: 20.0 psi
 Water Pressure Recommended: 45.0 psi

INSPIRATION

This new American classic was designed with simplicity in mind. Featuring streamlined forms and honest details, it's the epitome of quiet elegance.

CODES & STANDARDS

RRLS21X, NSF/ANSI/CAN 61:Q < 1, NSF/ANSI/CAN 372, ASME A112.18.1/CSA B125.1, CEC, DOE, State of MA

PRODUCT FEATURES

Features All Metal Tri-Spoke Handles

Includes a Universal Push Touch Drain sized to fit US and Euro sink drain openings

Stocked in Nickel and Brass

Available in 1.2gpm (4.5L/min) flow rate

Available in 1.2gpm (4.5L/min) flow rate

CERTIFICATIONS



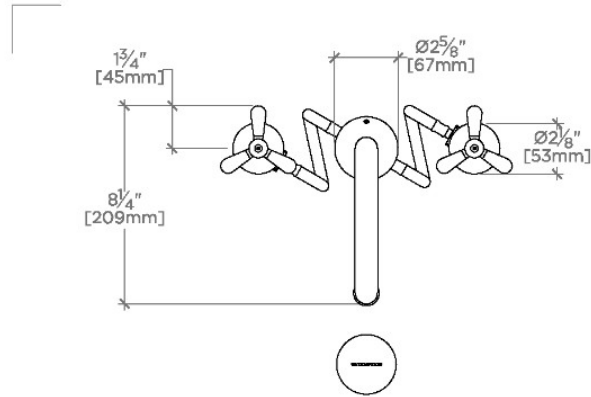
PRODUCT (NOTES)

WATERWORKS

RIVERUN

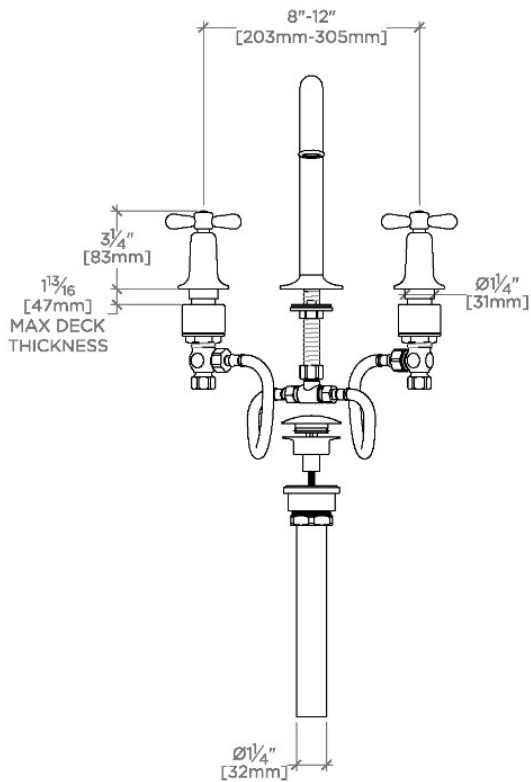
RRLS21

Riverun Gooseneck Lavatory Faucet with Tri-Spoke Handles



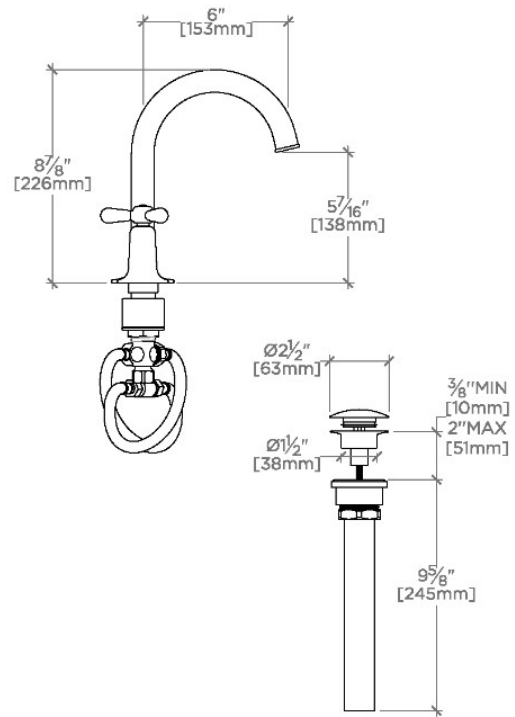
TOP VIEW

SCALE: 1 1/2"=1'-0"



FRONT VIEW

SCALE: 1 1/2"=1'-0"



SIDE VIEW

SCALE: 1 1/2"=1'-0"