

FORMWORK

FM10KM

Formwork One Hole Low Profile Kitchen Faucet, Metal Joystick Handle and Spray



SHOWN IN FORMWORK ONE HOLE HIGH PROFILE KITCHEN FAUCET, METAL JOYSTICK HANDLE AND SPRAY| FMKM10

TECHNICAL DETAILS

Adjustable Shelves: N
Adjustable versus Fixed Spray: Fixed Spray
Escutcheon Primary Material: Brass
Fittings Hole Diameter: 38 mm
Flow Restriction Options: 2.0, 1.75, 1.5
Handle Turn Angle: Quarter Turn Each Way
Handshower / Spray Hose Length: 1.5 m
Depth / Width: 279 mm
Height: 243 mm
Inlet Connection Size: 3/8"
Inlet Connection Type: Female G/BSPP
Integrated Diverter: N
Number of Handles: One
Number of Holes: One Hole
Primary Material: Brass
Restricted Maximum Flow Rate: 8.3 liters/min
Spout Swivel: N
Spray Included in Unit: N
Suggested Application: Bar, Kitchen, Laundry
Valve Material: Ceramic
Water Pressure Maximum: 5.5 bar
Water Pressure Minimum: 1.5 bar
Water Pressure Recommended: 3.0 bar

INSPIRATION

Sculptural forms that defy the ordinary. Unexpected geometry and the transition of the planes create a subtle but warm expression.

PRODUCT FEATURES

Joystick Handle allows for easy, one-handed operation

Single Hole construction allows for clean, minimalist installations

The included hand spray allows for easy vegetable washing, rinsing of the sink, or cleaning cookware

Standard flow rate is 2.2gpm (8.3 L/min). Also available in high efficiency flow options. Contact your sales associate or call 1 (800) 899-6757 for details.

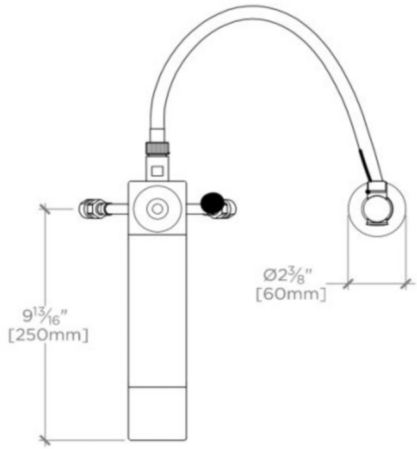
WATERWORKS

FORMWORK

FM10KM

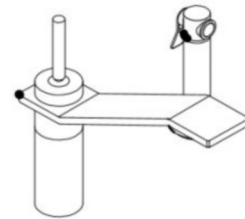
Formwork One Hole Low Profile Kitchen Faucet, Metal Joystick Handle and Spray

ADAPTER(S) PACKAGED SEPARATELY		
ADAPTER	DESCRIPTION	QTY
UNUK08	$\frac{9}{16}$ "-24 UNEF Male x $\frac{3}{8}$ " Female BSP	2



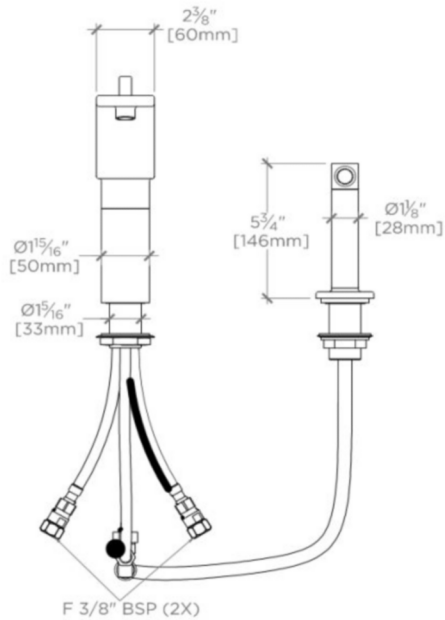
TOP VIEW

SCALE: 1 1/2"=1'-0"



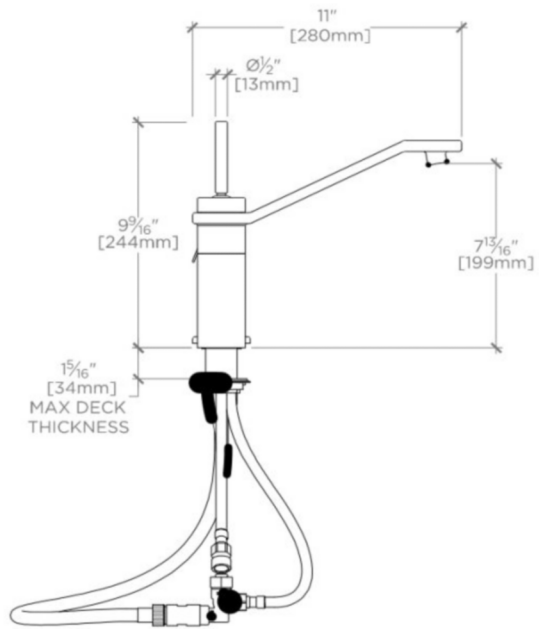
ISO VIEW

SCALE: 1 1/2"=1'-0"



FRONT VIEW

SCALE: 1 1/2"=1'-0"



SIDE VIEW

SCALE: 1 1/2"=1'-0"