

## HENRY

Henry Thermostatic Control Valve Trim with Metal Cross Handle

HNTH01



SHOWN IN HENRY THERMOSTATIC CONTROL VALVE TRIM WITH METAL CROSS HANDLE| HNTH01

### TECHNICAL DETAILS

ADA Compliance: Yes  
Control Valve Rough-in Depth Maximum: 95 mm  
Control Valve Rough-in Depth Minimum: 64 mm  
Diverter Valve Rough-in Depth Maximum: 105 mm  
Diverter Valve Rough-in Depth Minimum: 73 mm  
Fittings Hole Diameter: 133 mm  
Depth / Width: 95 mm  
Height: 159 mm  
Integrated Diverter: N  
Integrated Spray: N  
Length: 159 mm  
Number of Handles: One  
Pivot: N  
Primary Material: Brass  
Spout Swivel: N  
Spray Included in Unit: N  
Suggested Application: Bath

### INSPIRATION

Influenced by the connection of industry and art Henry easily transitions between modern, traditional, utilitarian and classic settings.

### CODES & STANDARDS

Code # HNSV01X: Complies with ASME A112.18.1/CSA B125.1 & ANSI A117.1 ADA. Certified with IAPMO, cUPC & State of MA

### PRODUCT FEATURES

The manufacturing process encompasses casting, turning, forging, hand-fitting and hand polishing.

Brass material is used for component.

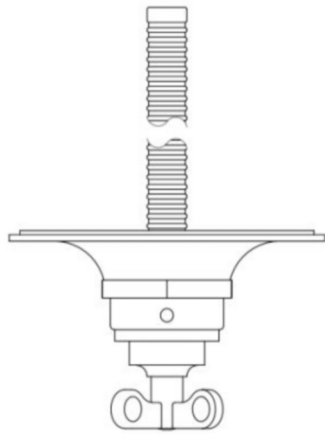
### CERTIFICATIONS



## HENRY

## HNTH01

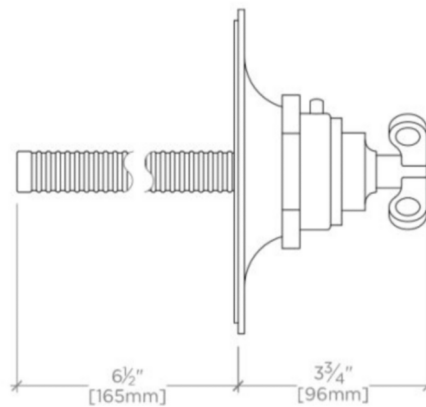
Henry Thermostatic Control Valve Trim with Metal Cross Handle



TOP VIEW SCALE: 3"=1'-0"



FRONT VIEW SCALE: 3"=1'-0"



SIDE VIEW SCALE: 3"=1'-0"