

FLYTE

Flyte Handshower On Hook

FLHS01



SHOWN IN FLYTE HANDSHOWER ON HOOK | FLHS01

TECHNICAL DETAILS

Adjustable Versus Fixed Spray: Fixed Spray
Depth/Width: 3 9/16"
Diameter Of Head: 2 3/8"
Escutcheon Primary Material: Brass
Fittings Hole Diameter: 1 1/4"
Flow Restriction Options: 1.75
Handshower Spray Hose Length: 59"
Height: 9"
Inlet Connection Size: 1/2"
Inlet Connection Type: Female NPT
Installation Type: Wall Mounted
Integrated Diverter: N
Length: 3"
Pivot: N
Primary Material: Brass
Suggested Application: Bath
Water Pressure Maximum: 85.0 psi
Water Pressure Minimum: 20.0 psi
Water Pressure Recommended: 45.0 psi

INSPIRATION

Pure Modernism. Like minimalist works of art, the elegant proportions of these light, fluid elements bring sculptural reference to a room.

CODES & STANDARDS

FLHS01X, FLHS01X, ASME A112.18.1/CSA B125.1, Waterworks Handshowers use check valves compliant to ASME A112.18.3 for backflow protection. State of MA

PRODUCT FEATURES

Features a Fixed Spray Pattern

Stocked in Chrome, Nickel, Brass and Matte Black

Available in 1.75gpm (6.6L/min) flow rate

CERTIFICATIONS

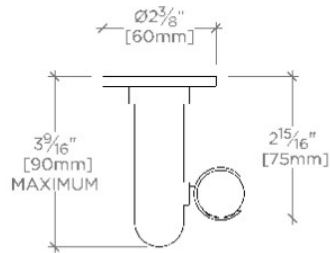


PRODUCT (NOTES)

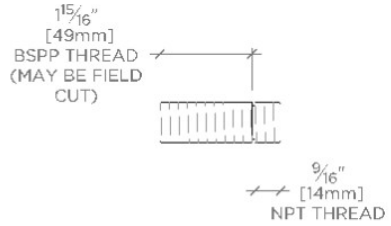
FLYTE

FLHS01

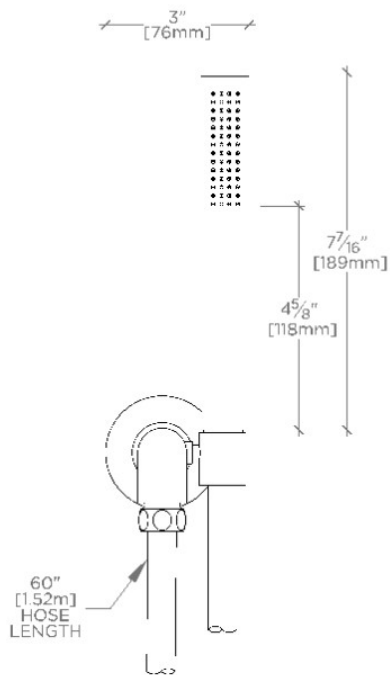
Flyte Handshower On Hook



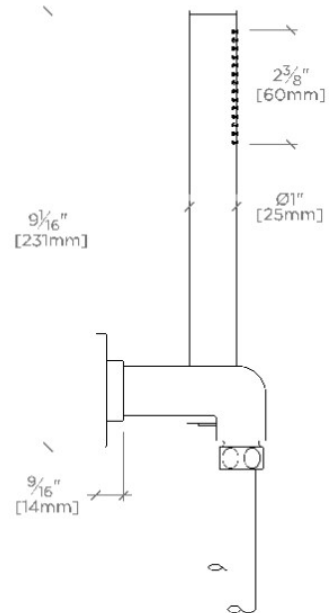
TOP VIEW SCALE: 3"=1'-0"



ADAPTER INCLUDED - INTERNATIONAL USE ONLY



FRONT VIEW SCALE: 3"=1'-0"



SIDE VIEW SCALE: 3"=1'-0"