

## DASH

DSXT20

Dash Wall Mounted Exposed Tub Filler with Metal Handshower and Cross Handles



SHOWN IN DASH WALL MOUNTED EXPOSED TUB FILLER WITH METAL HANDSHOWER AND CROSS HANDLES | DSXT20

### TECHNICAL DETAILS

ADA Compliance: No  
 Adjustable Versus Fixed Spray: Fixed Spray  
 Depth/Width: 10 11/16"  
 Diameter Of Head: 2 3/8"  
 Escutcheon Primary Material: Brass  
 Fittings Hole Diameter: 1 1/8"  
 Flow Restriction Options: 2.5, 2.2, 2.0, 1.75, 1.5, 1.2, 0.92  
 Handle Spread Maximum: 8"  
 Handle Spread Minimum: 8"  
 Handle Turn Angle: Quarter Turn  
 Handshower Spray Hose Length: 59"  
 Height: 14 1/8"  
 Inlet Connection Size: 3/4"  
 Inlet Connection Type: Copper Sweat  
 Inlet Supply Spread Maximum: 8"  
 Inlet Supply Spread Minimum: 8"  
 Installation Type: Wall Mounted  
 Integrated Diverter: Y  
 Integrated Spray: N  
 Length: 15 1/16"  
 Number Of Handles: Two  
 Number Of Holes: Two Hole  
 Pivot: Y  
 Primary Material: Brass  
 Spout Swivel: N  
 Spray Included In Unit: Y  
 Suggested Application: Bath  
 Valve Material: Ceramic  
 Water Pressure Maximum: 85.0 psi  
 Water Pressure Minimum: 20.0 psi  
 Water Pressure Recommended: 45.0 psi

### INSPIRATION

A blend of art and function, Dash pays homage to design elements of the 1930s with pared-down shapes, softened curves and minimal details.

### CODES & STANDARDS

State of MA

### PRODUCT FEATURES

Metal Cross Handle

Includes Required Unions for Mounting

Handshower hook features adjustability to pivot the handshower forwards or backwards

Stocked in Nickel, Chrome, Unlacquered Brass, and Matte Nickel finishes

Stocked in 2.5gpm (9.5 L/min) and 1.75gpm (6.6 L/min) for handshower. State of California requires 1.75gpm (6.6 L/min) to comply with their water conservation requirements. Other flow options are available to order, contact your sales associate or call 1 (800) 899-6757 for details.

### CERTIFICATIONS

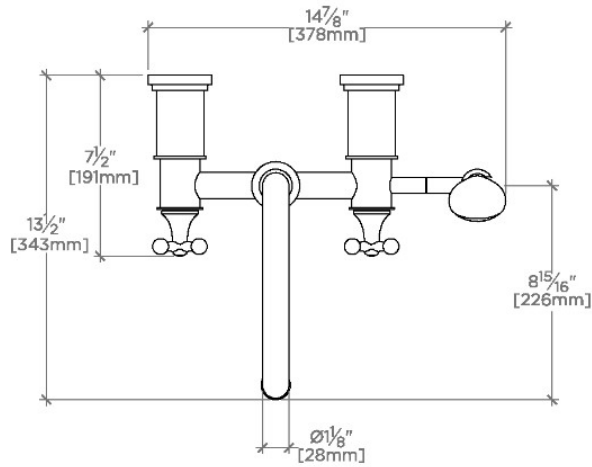
### PRODUCT (NOTES)

# WATERWORKS

## DASH

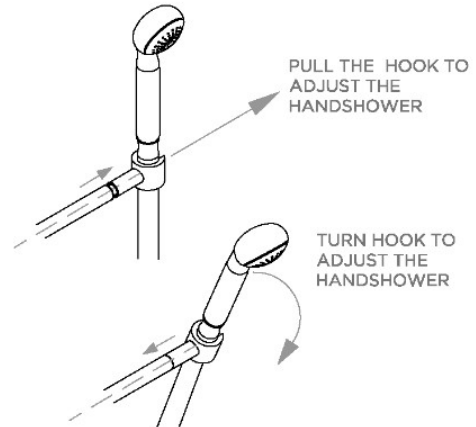
DSXT20

Dash Wall Mounted Exposed Tub Filler with Metal Handshower and Cross Handles



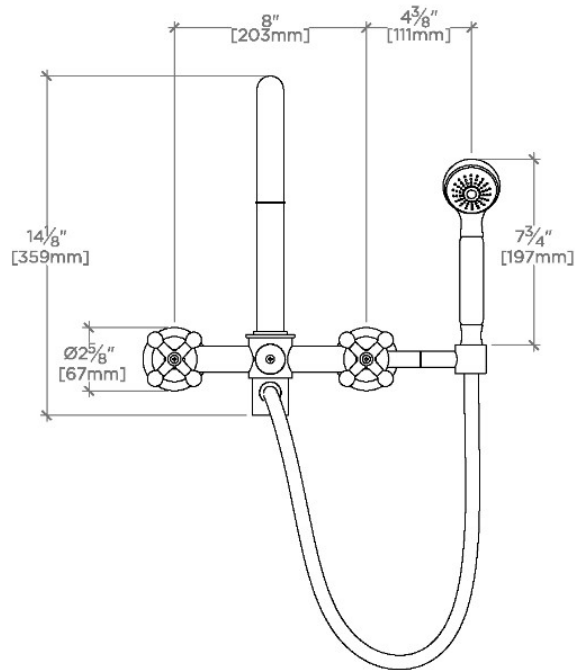
TOP VIEW

SCALE: 1/2"=1'-0"



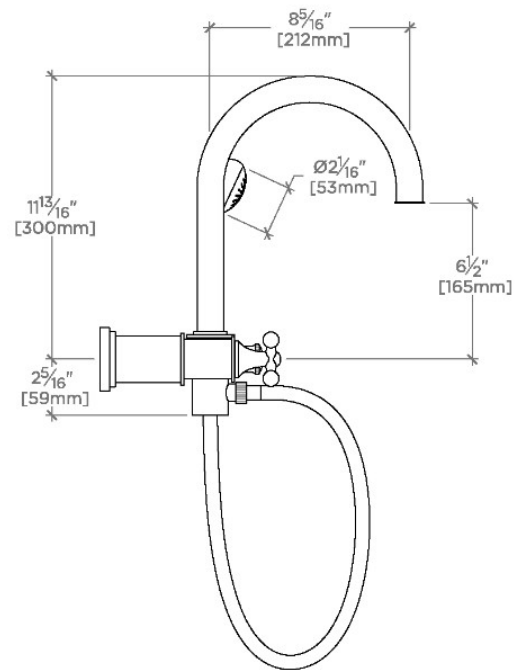
HANDSHOWER ADJUSTMENT

SCALE: 1/2"=1'-0"



FRONT VIEW

SCALE: 1/2"=1'-0"



SIDE VIEW

SCALE: 1/2"=1'-0"