

Bond

BKM47T

Bond Tandem One Hole Gooseneck Bar Faucet with Teak Lever Handle



SHOWN IN BOND TANDEM ONE HOLE GOOSENECK BAR FAUCET WITH TEAK LEVER HANDLE | BKM47T

TECHNICAL DETAILS

ADA Compliance: Yes
 Deck Thickness Maximum: 38 mm
 Deck Thickness Minimum: 6 mm
 Fittings Hole Diameter: 35 mm
 Handle Turn Angle: Quarter Turn
 Inlet Connection Size: 3/8"
 Inlet Connection Type: Compression Connection
 Hoses
 Restricted Maximum Flow Rate: 4.5 liters/min
 Spout Swivel: Y
 Valve Material: Ceramic
 Water Pressure Maximum: 6.0 bar
 Water Pressure Minimum: 1.5 bar
 Water Pressure Recommended: 3.0 bar

INSPIRATION

Bond draws inspiration from the Aesthetic Movement, rare vintage lighters, and modern industrial design. The result is a contemporary collection with a soulful quality that inhabits the full range of modern style, from austere minimalism to warm contemporary.

CODES & STANDARDS

BKM47TX, NSF/ANSI/CAN 61:Q < 1, NSF/ANSI/CAN 372, ASME A112.18.1/CSA B125.1, CEC, NOM-012, WRAS

PRODUCT FEATURES

Lever Handle

Handle rotates toward the front to prevent contact with backsplash

Features Metal combined with Teak Handle

Stocked in Nickel and Brass

Available in 1.2gpm (4.5L/min) flow rate

CERTIFICATIONS



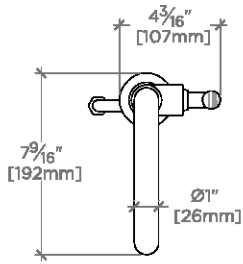
PRODUCT (NOTES)

WATERWORKS

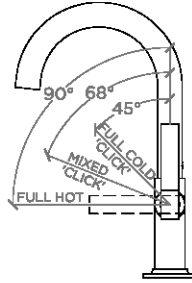
Bond

BKM47T

Bond Tandem One Hole Gooseneck Bar Faucet with Teak Lever Handle

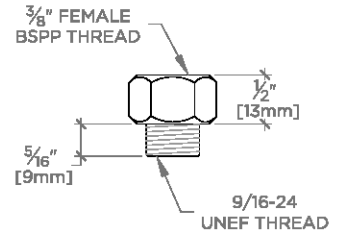
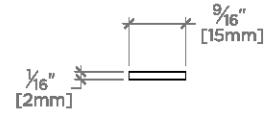


TOP VIEW SCALE: 1/2"=1'-0"

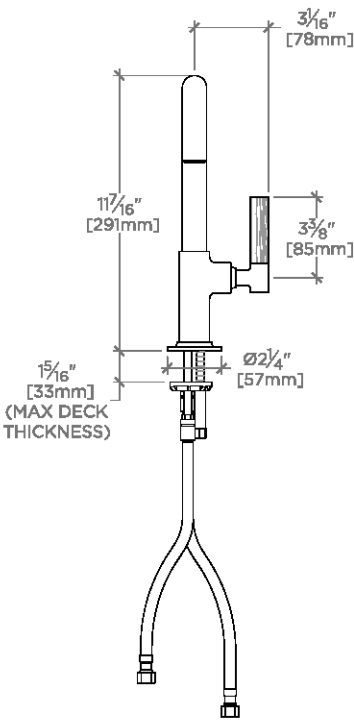


HANDLE OPERATION SCALE: 1/2"=1'-0"

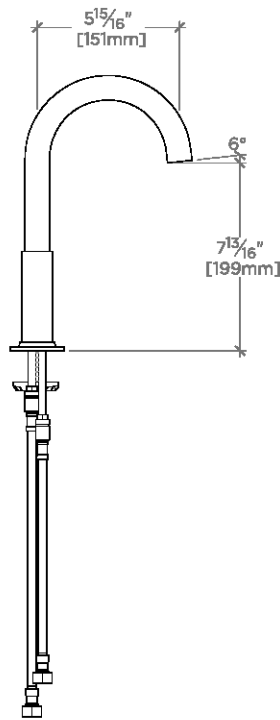
NOTE:
ADAPTER AND GASKET (x2)
INCLUDED INTERNATIONAL USE
ONLY



ADAPTER NOT TO SCALE



FRONT VIEW SCALE: 1/2"=1'-0"



SIDE VIEW SCALE: 1/2"=1'-0"