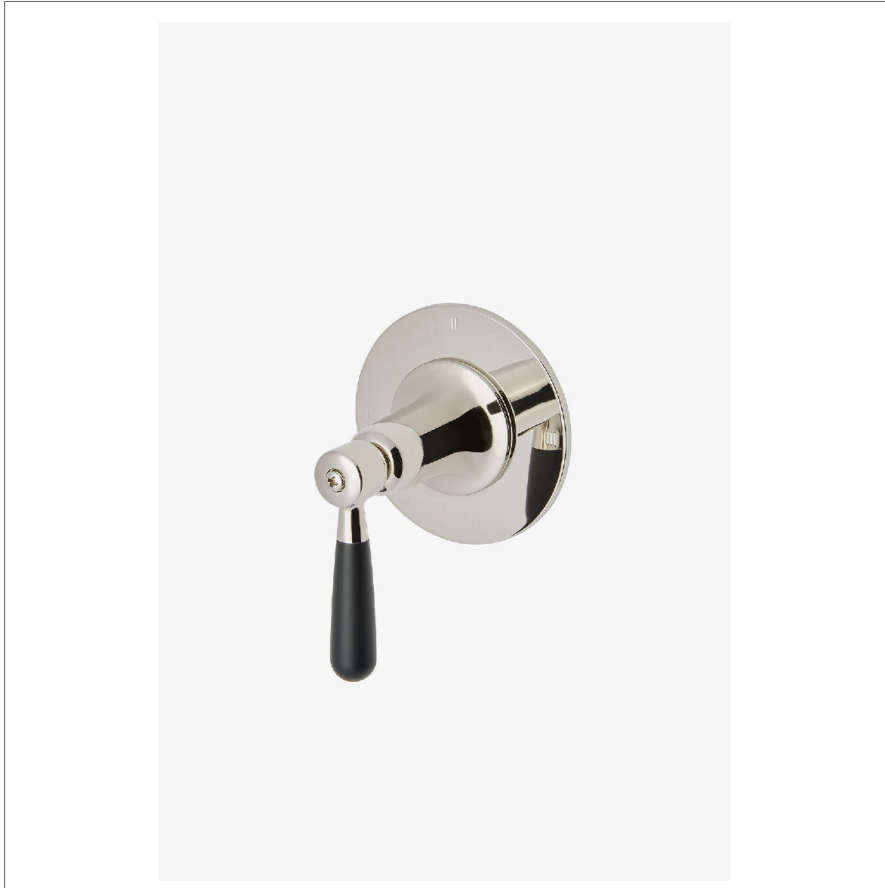


RIVERUN

RR3P10

Riverun Three Way Diverter Valve Trim for Pressure Balance with Roman Numerals and Two-Tone Lever Handle



SHOWN IN RIVERUN THREE WAY DIVERTER VALVE TRIM FOR PRESSURE BALANCE WITH ROMAN NUMERALS AND TWO-TONE LEVER HANDLE | RR3P10

TECHNICAL DETAILS

ADA Compliance: Yes
Fittings Hole Diameter: 2"
Handle Turn Angle: Full Turn
Number Of Holes: One Hole
Primary Material: Brass

INSPIRATION

This new American classic was designed with simplicity in mind. Featuring streamlined forms and honest details, it's the epitome of quiet elegance.

CODES & STANDARDS

ASME A112.18.1/CSA B125.1, State of MA

PRODUCT FEATURES

Features Two-Tone Lever Handle

For use with a Pressure Balance shower system and three waterway outlets such as a handshower, shower head, or tub spout

Feature Roman Numerals representing outlet position

Stocked in Nickel/Matte Black and Brass/Matte Black

Requires valve rough sold separately

CERTIFICATIONS

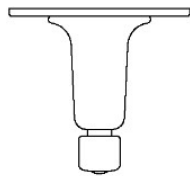


PRODUCT (NOTES)

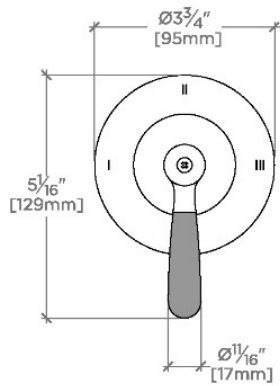
RIVERUN

RR3P10

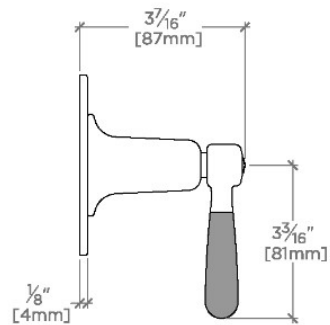
Riverun Three Way Diverter Valve Trim for Pressure Balance
with Roman Numerals and Two-Tone Lever Handle



TOP VIEW SCALE: 3"=1'-0"



FRONT VIEW SCALE: 3"=1'-0"



SIDE VIEW SCALE: 3"=1'-0"