

EASTON

EALS11

Easton Vintage Low Profile Three Hole Deck Mounted Lavatory Faucet with Metal Cross Handles



SHOWN IN EASTON VINTAGE LOW PROFILE THREE HOLE DECK MOUNTED LAVATORY FAUCET WITH METAL CROSS

TECHNICAL DETAILS

ADA Compliance: Yes
 Adjustable versus Fixed Spray: Fixed Spray
 Deck Thickness Maximum: 1 1/4"
 Deck Thickness Minimum: 0"
 Drain Assembly Materials: Brass
 Drain Depth Maximum: 1 3/8"
 Drain Hole Diameter: 1 3/4"
 Drain Style: Pop-up
 Escutcheon Primary Material: Brass
 Fittings Hole Diameter: 1 3/8"
 Flow Restriction Options: 1.0, 1.2, 1.5, 1.75, 2.2
 Handle Spread Maximum: 12"
 Handle Spread Minimum: 8"
 Handle Turn Angle: Quarter Turn
 Index Color / Finish and Material: White Porcelain
 Depth / Width: 9"
 Drain Depth Minimum: 1 3/4"
 Height: 3 1/2"
 Index Marking: Hot/Cold
 Inlet Connection Size: 1/2"
 Inlet Connection Type: Male with supply nut
 Inlet Supply Spread Maximum: 12"
 Inlet Supply Spread Minimum: 8"
 Installation Type: Deck Mounted
 Length: 16"
 Number of Handles: Two
 Number of Holes: Three Hole
 Primary Material: Brass
 Spout Swivel: N
 Suggested Application: Bath
 Valve Material: Ceramic
 Water Pressure Maximum: 85.0 psi
 Water Pressure Minimum: 20.0 psi
 Water Pressure Recommended: 45.0 psi

INSPIRATION

Drawing on Edwardian style, Easton is the most extensive Waterworks family; a range of moods and a selection of products from fittings to furniture.

CODES & STANDARDS

Code # EALS11: ASME A112.18.1, CSA B125, NSF, CEC, IAPMO, State of MA

PRODUCT FEATURES

Brass metal is used for all trim and valve components

The manufacturing process encompasses casting, turning, forging, hand-fitting and hand polishing.

Easton is our most comprehensive fittings family.

Easton has a clean-lined utilitarian profile, with a slightly elongated spout.

Standard flow rate is 2.2gpm (8.3 L/min) and State of California requires 1.2gpm(4.5 L/min). Also available in other flow options. Contact a sales associate for details.

CERTIFICATIONS



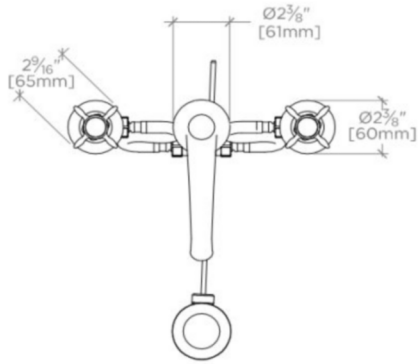
PRODUCT (NOTES)

Sold with European style drain; USA style drain sold separately for use with non-Waterworks sinks.

EASTON

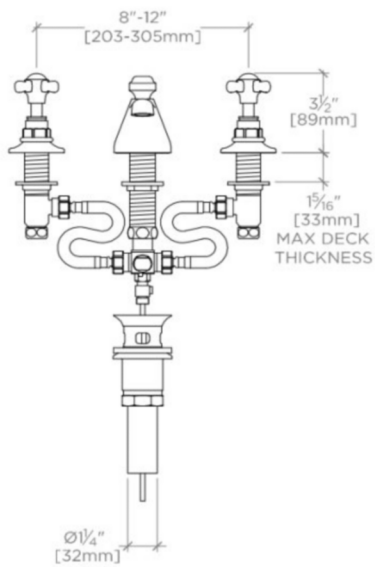
EALS11

Easton Vintage Low Profile Three Hole Deck Mounted Lavatory
Faucet with Metal Cross Handles



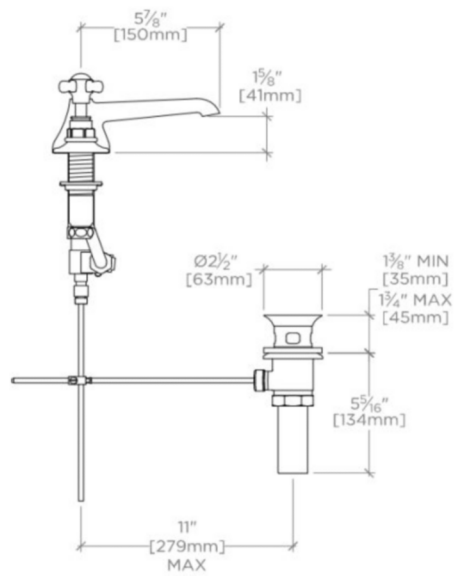
TOP VIEW

SCALE: 1 1/2"=1'-0"



FRONT VIEW

SCALE: 1 1/2"=1'-0"



SIDE VIEW

SCALE: 1 1/2"=1'-0"