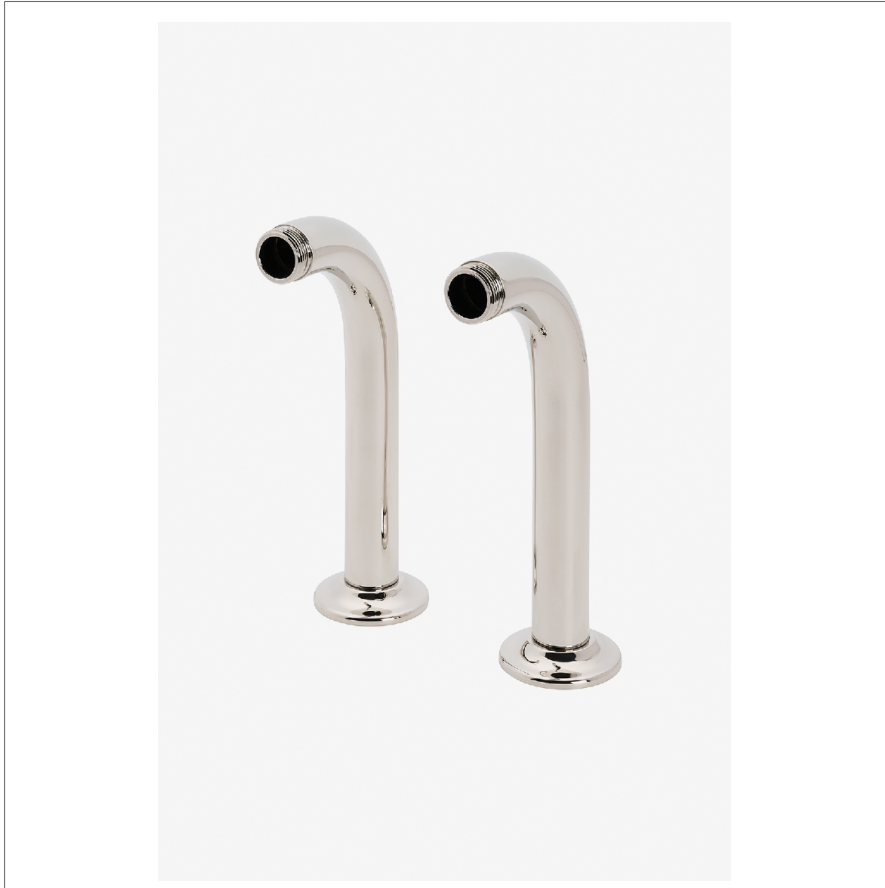


Easton Classic Pair of 2 3/8" x 4 7/16" x 8" Deck Unions



SHOWN IN EASTON CLASSIC PAIR OF 2 3/8" X 4 7/16" X 8" DECK UNIONS | EAUN16

TECHNICAL DETAILS

Deck Thickness Maximum: 1 7/8"
Depth/Width: 4 7/16"
Fittings Hole Diameter: 1 1/4"
Height: 8"
Inlet Connection Size: 3/4"
Inlet Connection Type: Male NPT or Sweat
Length: 2 3/8"
Outlet Connection Size: 3/4"
Outlet Connection Type: Male Straight Thread
Primary Material: Brass
Suggested Application: Bath

INSPIRATION

Rooted in classical Edwardian design, Easton is our most expansive collection—offering a comprehensive family of pieces that bring polished detail and timeless tradition to any setting. Revered for its exquisite proportions and impeccable scale, Easton is a trusted choice among designers.

CODES & STANDARDS

PRODUCT FEATURES

Brass metal is used for all trim and valve components

The manufacturing process encompasses casting, turning, forging, hand-fitting and hand polishing.

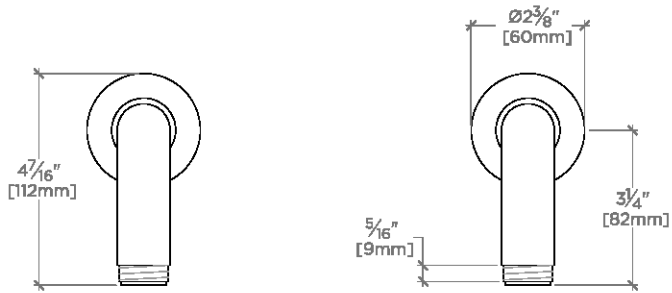
Easton is our most comprehensive fittings family.

Easton has a clean-lined utilitarian profile, with a slightly elongated spout.

CERTIFICATIONS

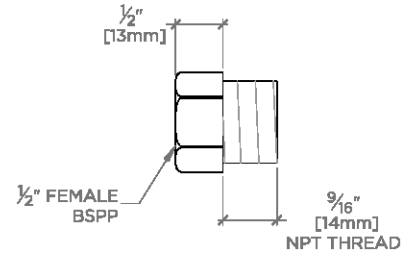
PRODUCT (NOTES)

Easton Classic Pair of 2 3/8" x 4 7/16" x 8" Deck Unions

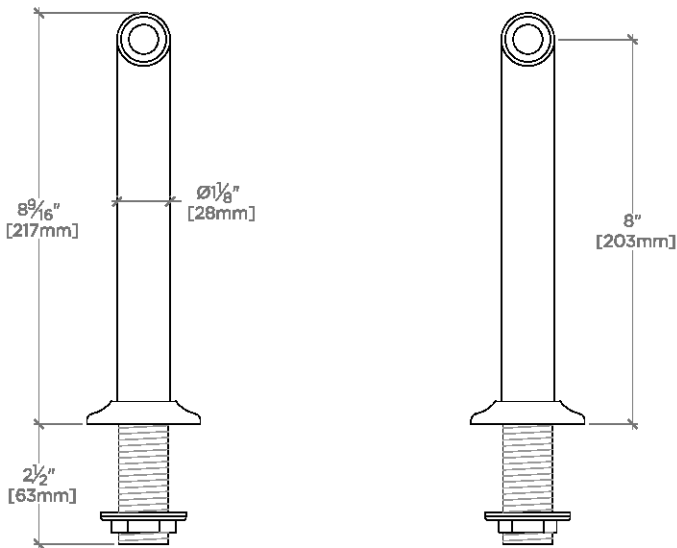


TOP VIEW

SCALE: 3"=1'-0"

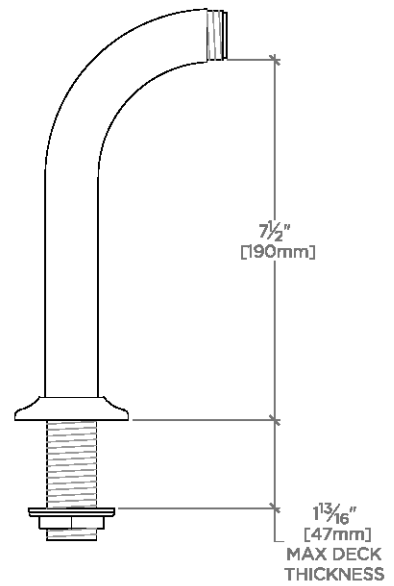


ADAPTERS INCLUDED-INTERNATIONAL USE ONLY



FRONT VIEW

SCALE: 3"=1'-0"



SIDE VIEW

SCALE: 3"=1'-0"