

OPUS

OPTH10

Opus Thermostatic Control Valve Trim with Metal Lever Handle



SHOWN IN OPUS THERMOSTATIC CONTROL VALVE TRIM WITH METAL LEVER HANDLE | OPTH10

TECHNICAL DETAILS

ADA Compliance: Yes
Depth/Width: 3 7/16"
Height: 5 7/8"
Inlet Connection Type: O.D. Supply Tubing
Integrated Diverter: N
Length: 5 7/8"
Primary Material: Brass
Suggested Application: Bath

INSPIRATION

Opus incorporates a range of sophisticated aesthetic notes, with graceful curves that create a jewel-like refinement.

CODES & STANDARDS

ASME A112.18.1/CSA B125.1, State of MA

PRODUCT FEATURES

Brass material is used for trim and valve component parts.

Eased curves and reflective forms carry the message of cleanliness and clarity.

An extensive range of fittings, fixture and accessory options for the lavatory, shower, bathtub.

CERTIFICATIONS

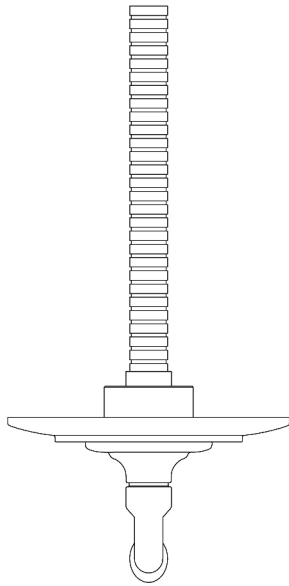


PRODUCT (NOTES)

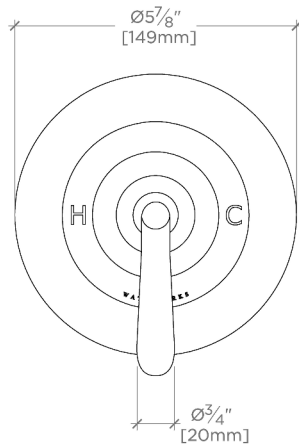
OPUS

OPTH10

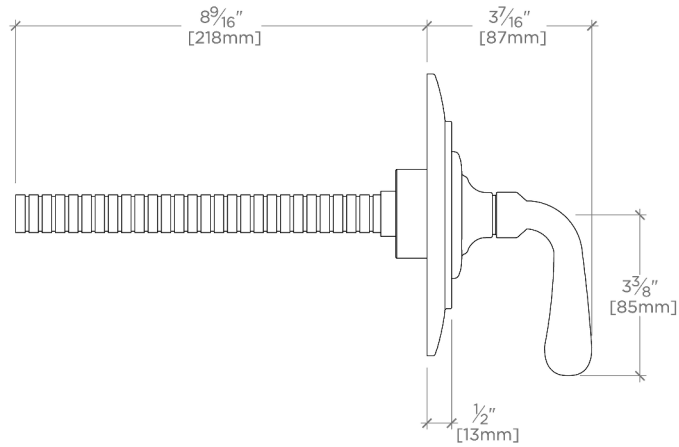
Opus Thermostatic Control Valve Trim with Metal Lever Handle



TOP VIEW SCALE: 3"=1'-0"



FRONT VIEW SCALE: 3"=1'-0"



SIDE VIEW SCALE: 3"=1'-0"