

Flyte

Flyte Handshower On Hook

FLHS01



SHOWN IN FLYTE HANDSHOWER ON HOOK | FLHS01

TECHNICAL DETAILS

Adjustable Versus Fixed Spray: Fixed Spray
 Depth/Width: 90 mm
 Diameter Of Head: 60 mm
 Escutcheon Primary Material: Brass
 Fittings Hole Diameter: 32 mm
 Flow Restriction Options: 1.75
 Handshower Spray Hose Length: 1.5 m
 Height: 229 mm
 Inlet Connection Size: 1/2"
 Inlet Connection Type: Female NPT
 Installation Type: Wall Mounted
 Integrated Diverter: N
 Length: 76 mm
 Pivot: N
 Primary Material: Brass
 Suggested Application: Bath
 Water Pressure Maximum: 6.0 bar
 Water Pressure Minimum: 1.5 bar
 Water Pressure Recommended: 3.0 bar

INSPIRATION

Pure Modernism. Like minimalist works of art, the elegant proportions of these light, fluid elements bring sculptural reference to a room.

CODES & STANDARDS

FLHS01X, FLHS01X, ASME A112.18.1/CSA B125.1, Waterworks Handshowers use check valves compliant to ASME A112.18.3 for backflow protection. State of MA

PRODUCT FEATURES

Features a Fixed Spray Pattern

Stocked in Chrome, Nickel, Brass and Matte Black

Available in 1.75gpm (6.6L/min) flow rate

CERTIFICATIONS

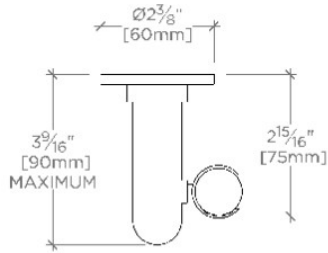


PRODUCT (NOTES)

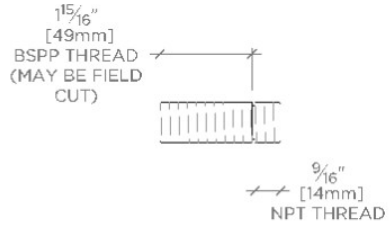
Flyte

FLHS01

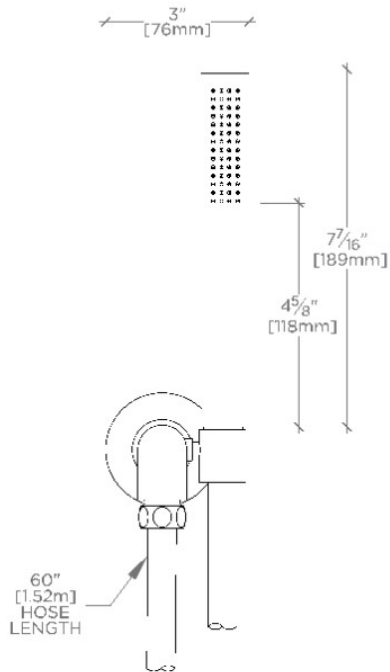
Flyte Handshower On Hook



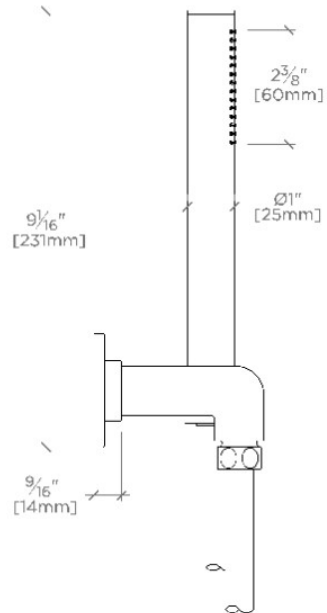
TOP VIEW SCALE: 3"=1'-0"



ADAPTER INCLUDED - INTERNATIONAL USE ONLY



FRONT VIEW SCALE: 3"=1'-0"



SIDE VIEW SCALE: 3"=1'-0"