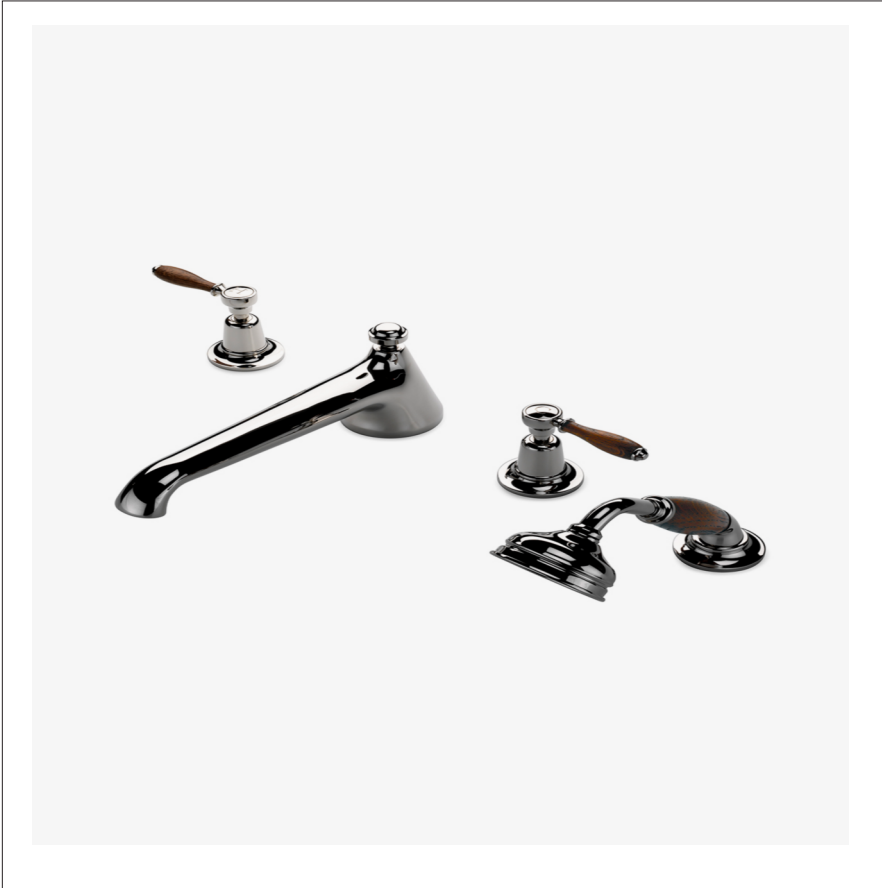


EASTON

EA05TF

Easton Classic Low Profile Concealed Tub Filler With Handshower and Oak Lever Handles



SHOWN IN EASTON CLASSIC LOW PROFILE CONCEALED TUB FILLER WITH HANDSHOWER AND OAK LEVER HANDLES| EATF05

TECHNICAL DETAILS

ADA Compliance: No
 Adjustable versus Fixed Spray: Fixed Spray
 Deck Thickness Maximum: 38 mm
 Deck Thickness Minimum: 0 mm
 Escutcheon Primary Material: Brass
 Fittings Hole Diameter: 35 mm
 Flow Restriction Options: 2.0, 1.75, 1.5, 0.92
 Handle Spread Maximum: 305 mm
 Handle Spread Minimum: 254 mm
 Handle Turn Angle: Quarter Turn
 Handshower / Spray Hose Length: 2.0 m
 Depth / Width: 311 mm
 Height: 184 mm
 Index Marking: H/C
 Inlet Connection Size: 3/4"
 Inlet Connection Type: Male G/BSPP
 Inlet Supply Spread Maximum: 305 mm
 Inlet Supply Spread Minimum: 254 mm
 Installation Type: Deck Mounted
 Integrated Diverter: N
 Length: 457 mm
 Number of Handles: Two
 Number of Holes: Four Hole
 Pivot: N
 Primary Material: Brass
 Restricted Maximum Flow Rate: 9.5 liters/min
 Spout Reach: 10"
 Spout Swivel: N
 Suggested Application: Bath
 Water Pressure Maximum: 5.5 bar
 Water Pressure Minimum: 1.5 bar
 Water Pressure Recommended: 3.0 bar

INSPIRATION

Drawing on Edwardian style, Easton is the most extensive Waterworks family; a range of moods and a selection of products from fittings to furniture.

CODES & STANDARDS

Code # : ASME A112.18.1, CSA B125, ASSE 1014, IAPMO, State of MA

PRODUCT FEATURES

Brass metal is used for all trim and valve components.

The manufacturing process encompasses casting, turning, forging, hand-fitting and hand polishing.

Easton is our most comprehensive fittings family.

Easton has a clean-lined utilitarian profile, with a slightly elongated spout.

Standard flow rate is 2.5gpm for handshower only. Also available in high efficiency flow options.

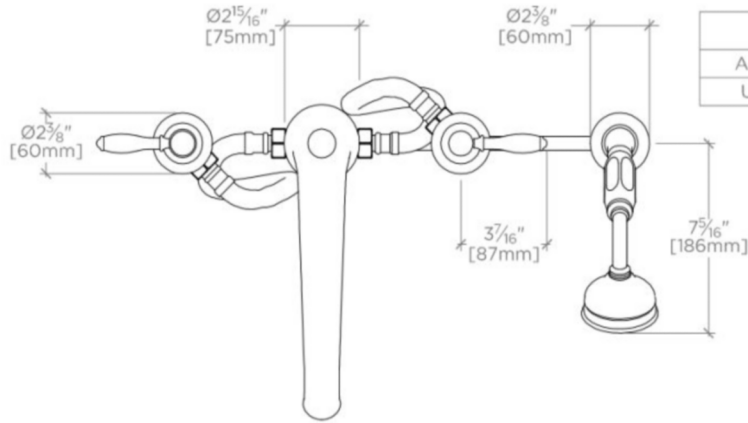
Contact your sales associate or call 1 (800) 899-6757 for details.

WATERWORKS

EASTON

EA05TF

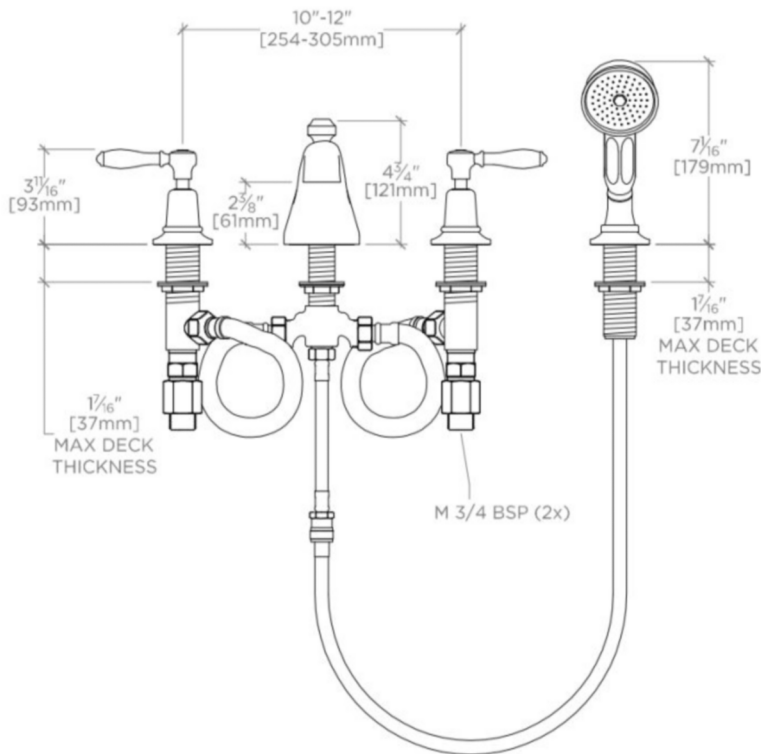
Easton Classic Low Profile Concealed Tub Filler With Hand-shower and Oak Lever Handles



ADAPTER(S) PACKAGED SEPARATELY		
ADAPTER	DESCRIPTION	QTY
UNUK05	3/4" NPT Female x 3/4" Male BSP	2

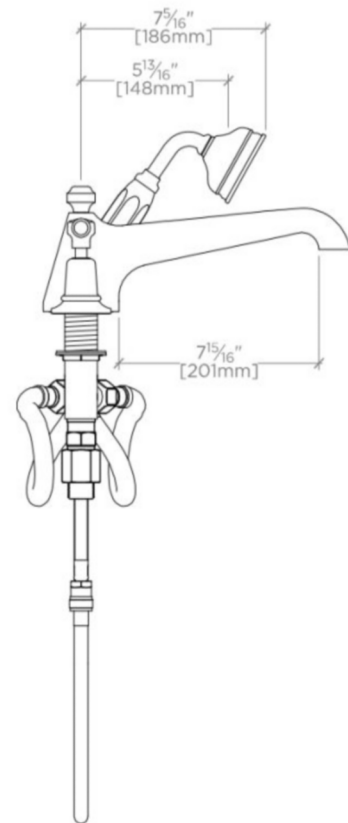
TOP VIEW

SCALE: 1 1/2"=1'-0"



FRONT VIEW

SCALE: 1 1/2"=1'-0"



SIDE VIEW

SCALE: 1 1/2"=1'-0"