

Audra

AUCP07

Audra Wall Mounted Marble Lavatory Sink 36" x 19 3/4" x 6"
with 36" x 8" x 3/4" Backsplash and Tapered Pedestal 12" x 8
3/4" x 27"



SHOWN IN AUDRA WALL MOUNTED MARBLE LAVATORY SINK 36" X 19 3/4" X 6" WITH 36" X 8" X 3/4" BACKSPLASH AND TAPERED PEDESTAL 12" X 8 3/4" X 27" | AUCP07

TECHNICAL DETAILS

Depth To Overflow: 86 mm
Drain Hole Depth: 48 mm
Drain Hole Diameter: 44 mm
Drain Style: Center Drain
Fittings Hole Diameter: 35 mm
Overflow Opening: Yes

INSPIRATION

Hand-carved from a single block of Italian stone, Audra embodies traditional, tailored allure. Its distinctive scalloped corners echo from the sink deck to the backsplash, creating visual continuity and balance.

CODES & STANDARDS

PRODUCT FEATURES

Designed by and exclusive to Waterworks

Sourced and made in Italy

Carved from a solid block of stone. Packaged item weight: 400 lbs

Backsplash designed for wall mounted faucet and handles

Features an integrated overflow

CERTIFICATIONS

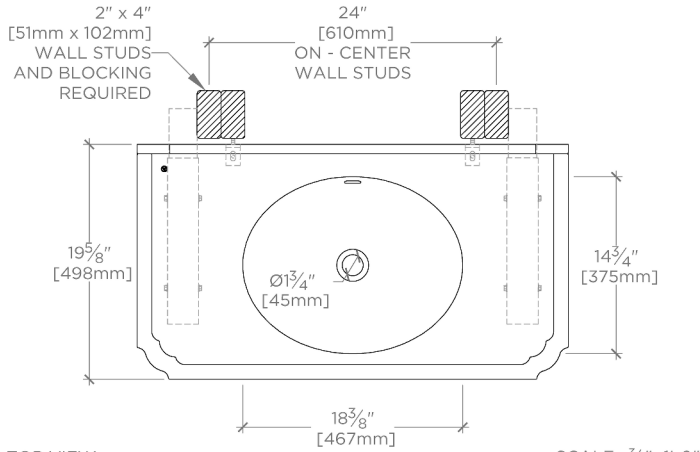
PRODUCT (NOTES)

WATERWORKS

Audra

AUCP07

Audra Wall Mounted Marble Lavatory Sink 36" x 19 3/4" x 6"
with 36" x 8" x 3/4" Backsplash and Tapered Pedestal 12" x 8
3/4" x 27"



REQUIRED MOUNTING HARDWARE (SOLD SEPARATELY)

STYLE: 106801

DESCRIPTION: UNIVERSAL PAIR (L/R) 18" STAINLESS STEEL ADJUSTABLE CONCEALED SUPPORT BRACKETS, WALL SUPPORT BRACKETS AND HARDWARE FOR WALL MOUNTED STONE SINK.

NOTE: THE SINK WILL BE SUPPORTED BY THE BRACKETS AND NOT THE PEDESTAL. ENSURE THE SINK IS NOT RESTING ON THE PEDESTAL TO AVOID DAMAGE.

