

Henry

HN3T12

Henry Three Way Diverter Valve Trim for Thermostatic with Roman Numerals and Two-Tone Lever Handle



SHOWN IN HENRY THREE WAY DIVERTER VALVE TRIM FOR THERMOSTATIC WITH ROMAN NUMERALS AND TWO-TONE LEVER HANDLE | HN3T12

TECHNICAL DETAILS

ADA Compliance: Yes
 Fittings Hole Diameter: 51 mm
 Handle Turn Angle: Full Turn
 Number Of Holes: One Hole
 Primary Material: Brass

INSPIRATION

Influenced by the connection of industry and art Henry easily transitions between modern, traditional, utilitarian and classic settings.

CODES & STANDARDS

ASME A112.18.1/CSA B125.1, State of MA

PRODUCT FEATURES

Two-Tone Lever Handle

For Use with a Thermostatic Shower System and Three Waterway Outlets

Features Roman Numerals Representing Outlet Position

Stocked in Brass/Dark Nickel and Nickel/Dark Nickel

Requires valve rough sold separately

CERTIFICATIONS

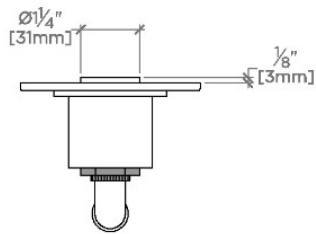


PRODUCT (NOTES)

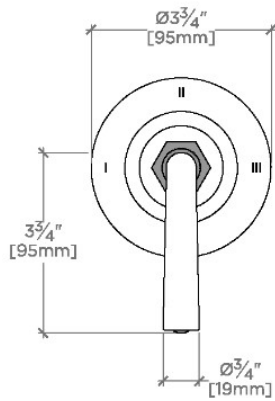
Henry

HN3T12

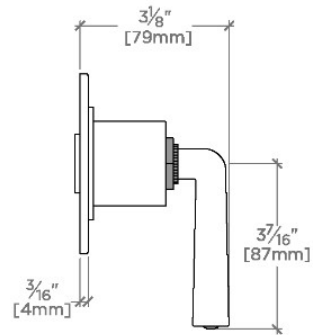
Henry Three Way Diverter Valve Trim for Thermostatic with Roman Numerals and Two-Tone Lever Handle



TOP VIEW SCALE: 3"=1'-0"



FRONT VIEW SCALE: 3"=1'-0"



SIDE VIEW SCALE: 3"=1'-0"