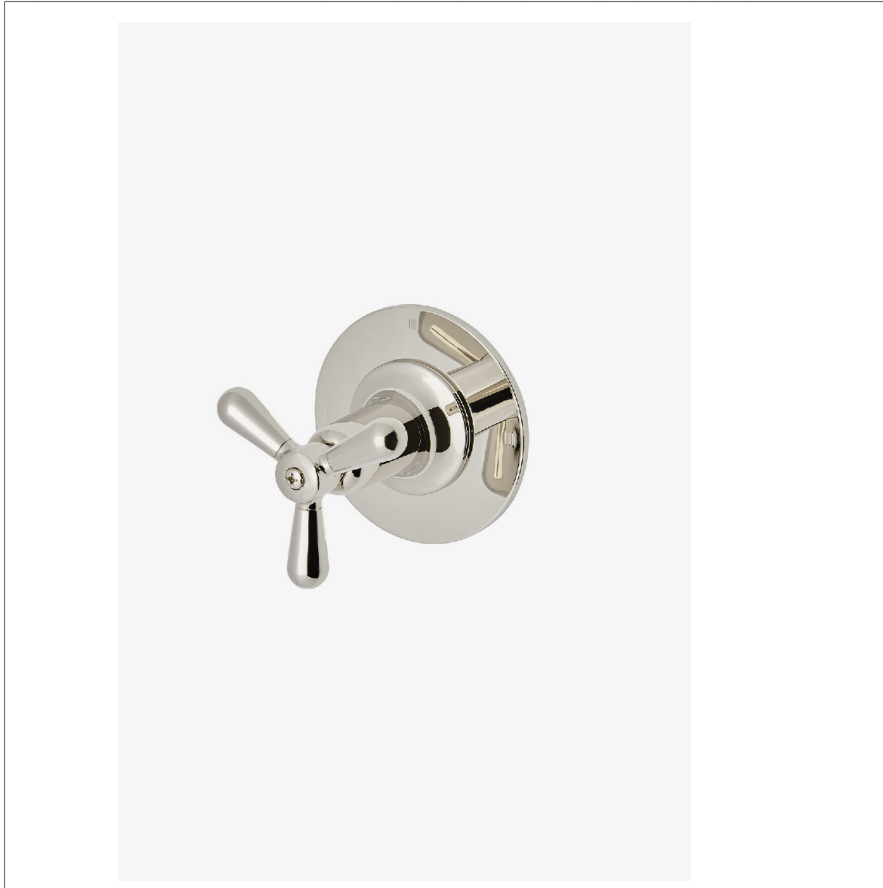


## Riverun

RR3P02

Riverun Three Way Diverter Valve Trim for Pressure Balance with Roman Numerals and Tri-Spoke Handle



SHOWN IN RIVERUN THREE WAY DIVERTER VALVE TRIM FOR PRESSURE BALANCE WITH ROMAN NUMERALS AND TRI-SPOKE HANDLE | RR3P02

### TECHNICAL DETAILS

ADA Compliance: Yes  
Fittings Hole Diameter: 51 mm  
Handle Turn Angle: Full Turn  
Number Of Holes: One Hole  
Primary Material: Brass

### INSPIRATION

A new American classic designed with simplicity in mind, Riverun epitomizes quiet elegance through streamlined forms and honest details. These nuanced designs project distinctly American sophistication while effortlessly adapting to any design story.

### CODES & STANDARDS

ASME A112.18.1/CSA B125.1, State of MA

### PRODUCT FEATURES

Features All Metal Tri-Spoke Handle

For use with a Pressure Balance shower system and three waterway outlets such as a handshower, shower head, or tub spout

Feature Roman Numerals representing outlet position

Stocked in Nickel and Brass

Requires valve rough sold separately

### CERTIFICATIONS

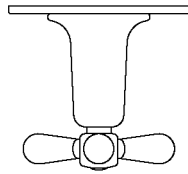


### PRODUCT (NOTES)

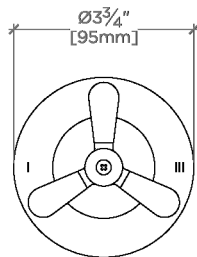
## Riverun

RR3P02

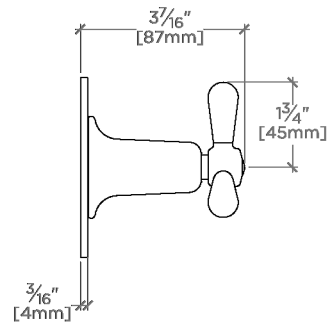
Riverun Three Way Diverter Valve Trim for Pressure Balance  
with Roman Numerals and Tri-Spoke Handle



TOP VIEW SCALE: 3"=1'-0"



FRONT VIEW SCALE: 3"=1'-0"



SIDE VIEW SCALE: 3"=1'-0"