

UNIVERSAL

UN10KM

Universal Modern One Hole Kitchen Faucet, Metal Lever Handles and Spray



SHOWN IN UNIVERSAL MODERN ONE HOLE HIGH PROFILE KITCHEN FAUCET, METAL LEVER HANDLE AND SPRAY| UNKM10

TECHNICAL DETAILS

Depth / Width: 294 mm
Height: 313 mm
Inlet Connection Type: Female G/BSPP
Length: 56 mm
Primary Material: Brass
Restricted Maximum Flow Rate: 8.3 liters/min
Spray Included in Unit: Y
Suggested Application: Bar, Kitchen, Laundry
Valve Material: Ceramic
Water Pressure Maximum: 5.5 bar
Water Pressure Minimum: 1.5 bar
Water Pressure Recommended: 3.0 bar

INSPIRATION

Our Universal collection features timeless designs complementing any of our Waterworks. With a wide range of product, from fittings to accessories, Universal adds exquisite proportion and balance to any environment.

PRODUCT FEATURES

The design of the modern single hole kitchen mixer is a tall slender column with a functional rubber sleeved lever. Streamlined, clean and efficient, the scale is dynamic and the form modern and sophisticated. Features a tilt and turn handle operation with a swivel spout constructed of brass. Spray is constructed of stainless steel.

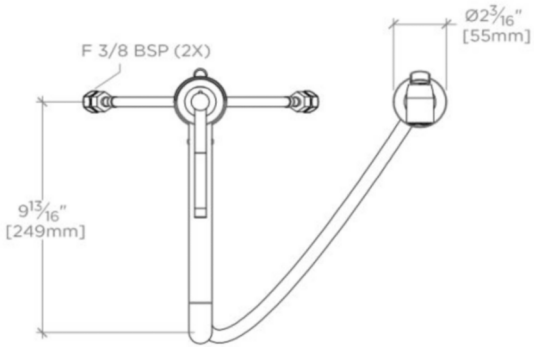
WATERWORKS

UNIVERSAL

UN10KM

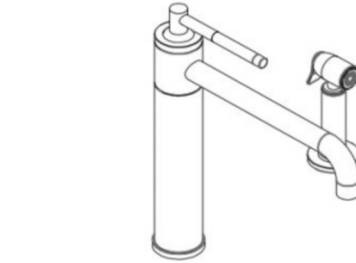
Universal Modern One Hole Kitchen Faucet, Metal Lever Handles and Spray

ADAPTER(S) PACKAGED SEPARATELY		
ADAPTER	DESCRIPTION	QTY
UNUK08	9/16"-24 UNEF Male x 3/8" Female BSP in Nickel	2



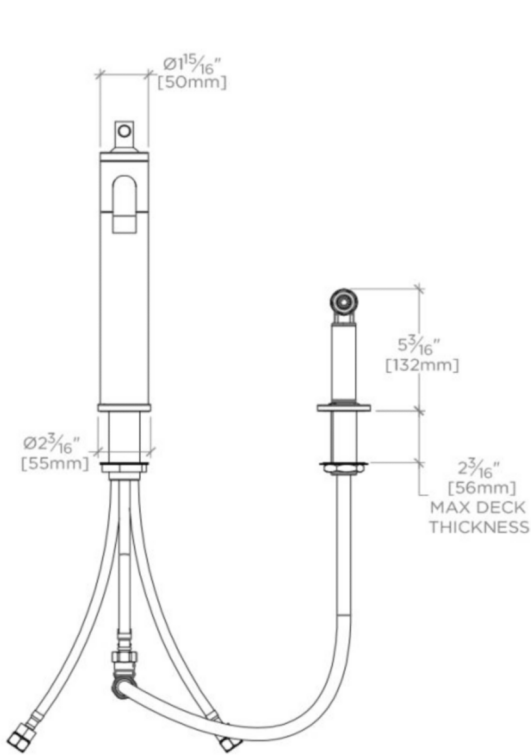
TOP VIEW

SCALE: 1 1/2"=1'-0"



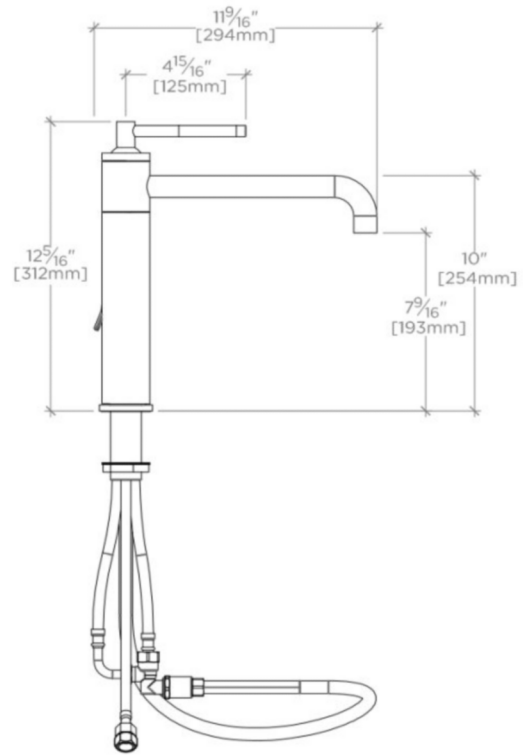
ISO VIEW

SCALE: 1 1/2"=1'-0"



FRONT VIEW

SCALE: 1 1/2"=1'-0"



SIDE VIEW

SCALE: 1 1/2"=1'-0"