

## Henry Chronos

CKM414

Henry Chronos One Hole Bar Faucet with Walnut Lever Handle



SHOWN IN HENRY CHRONOS ONE HOLE BAR FAUCET WITH WALNUT LEVER HANDLE | CKM414

### TECHNICAL DETAILS

ADA Compliance: Yes  
Deck Thickness Maximum: 67 mm  
Fittings Hole Diameter: 35 mm  
Handle Turn Angle: Quarter Turn  
Inlet Connection Size: 3/8"  
Inlet Connection Type: Compression Connection  
Hoses  
Restricted Maximum Flow Rate: 4.5 liters/min  
Spout Swivel: N  
Valve Material: Brass and Ceramic  
Water Pressure Maximum: 6.0 bar  
Water Pressure Minimum: 1.5 bar  
Water Pressure Recommended: 3.0 bar

### INSPIRATION

Inspired by dive watches, Henry Chronos radiates design prowess and technical precision. Chronos retains the design integrity of our original, iconic Henry collection, while imbuing it with modern details and exquisite materials.

### CODES & STANDARDS

CKM414X, NSF/ANSI/CAN 61:Q < 1, NSF/ANSI/CAN 372, ASME A112.18.1/CSA B125.1, CEC, DOE, State of MA

### PRODUCT FEATURES

Features Lever Handle

Stocked in Chrome, Nickel, and Brass

Available in 1.2 gpm (4.5 L/min) flow rate

### CERTIFICATIONS

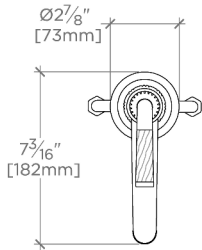


### PRODUCT (NOTES)

## Henry Chronos

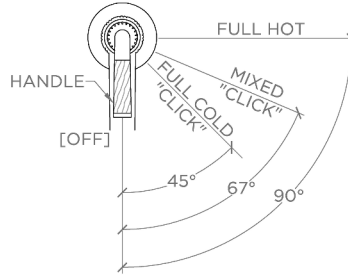
CKM414

Henry Chronos One Hole Bar Faucet with Walnut Lever Handle



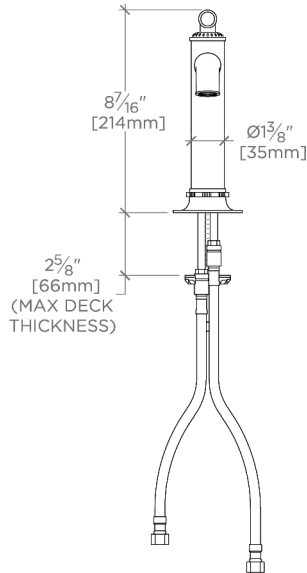
TOP VIEW

SCALE: 1/2"=1'-0"



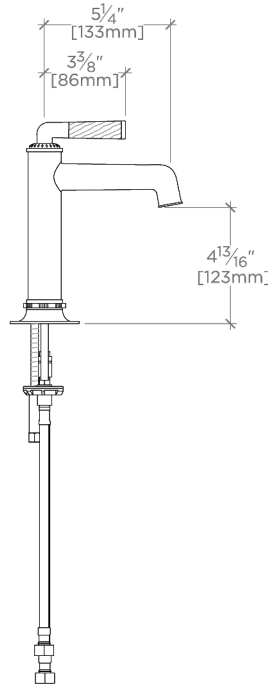
HANDLE OPERATION

SCALE: 1/2"=1'-0"



FRONT VIEW

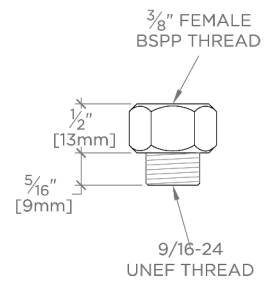
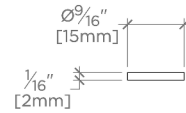
SCALE: 1/2"=1'-0"



SIDE VIEW

SCALE: 1/2"=1'-0"

NOTE:  
ADAPTER AND GASKET  
(x2) INCLUDED -  
INTERNATIONAL USE  
ONLY



NOT TO SCALE