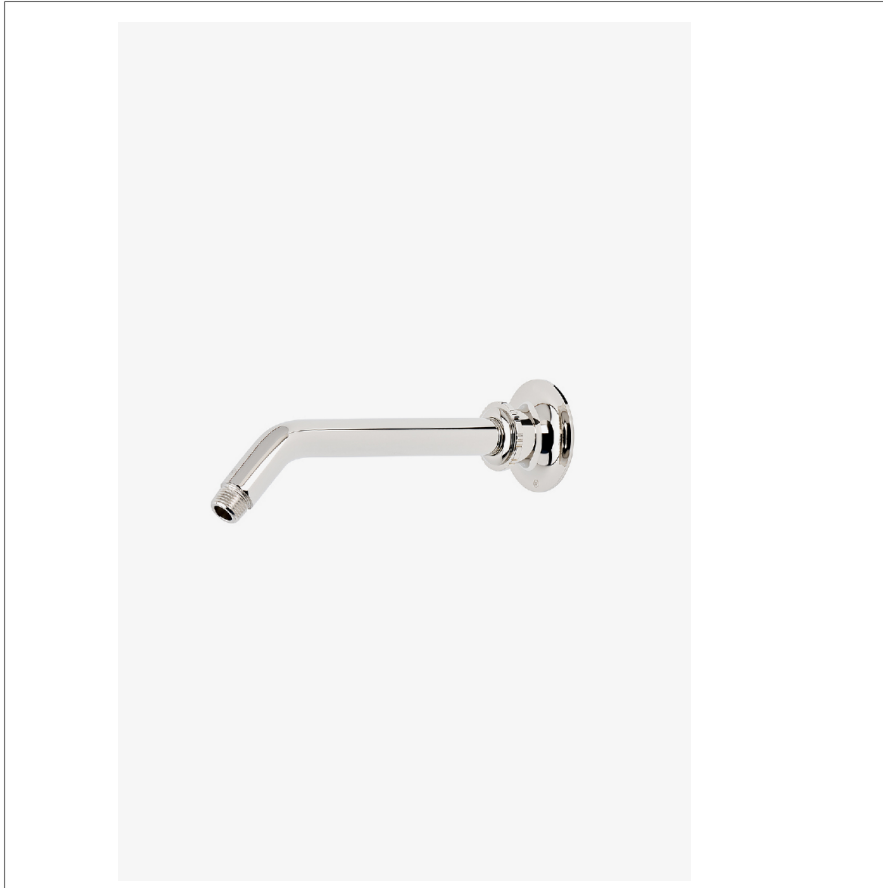


Henry

CNWH10

Henry Chronos 10" Wall Mounted 45 Degree Shower Arm with Flange



SHOWN IN HENRY CHRONOS 10" WALL MOUNTED 45 DEGREE SHOWER ARM WITH FLANGE | CNWH10

TECHNICAL DETAILS

Fittings Hole Diameter: 32 mm
Inlet Connection Size: 1/2"
Inlet Connection Type: Male NPT
Outlet Connection Size: 1/2"
Outlet Connection Type: Male NPT
Water Pressure Recommended: 3.0 bar

INSPIRATION

Influenced by the connection of industry and art Henry easily transitions between modern, traditional, utilitarian and classic settings.

CODES & STANDARDS

PRODUCT FEATURES

Compatible with an assortment of Waterworks showerheads, sold separately

Brass Construction

Includes 10" wall mounted 45 degree shower arm

Stocked in Chrome, Nickel and Brass

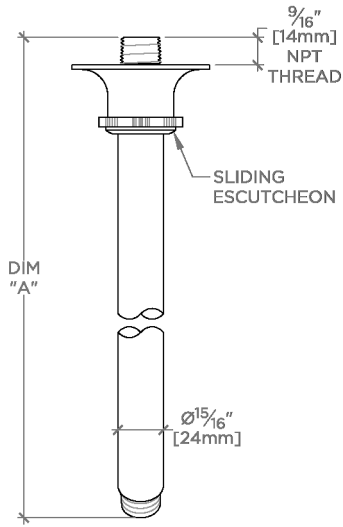
CERTIFICATIONS

PRODUCT (NOTES)

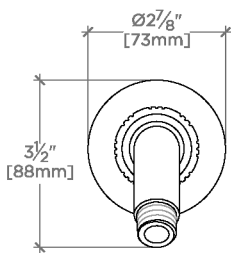
Henry

CNWH10

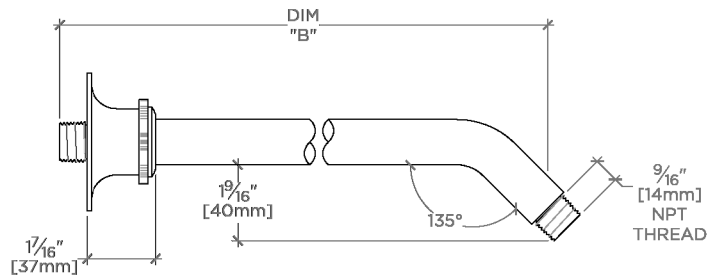
Henry Chronos 10" Wall Mounted 45 Degree Shower Arm with Flange



TOP VIEW SCALE: 3"=1'-0"



FRONT VIEW SCALE: 3"=1'-0"



SIDE VIEW SCALE: 3"=1'-0"

STYLE NO.	DIM "A"	DIM "B"
CNWH06	6 ¹⁵ / ₁₆ " [176mm]	6 ¹ / ₄ " [158mm]
CNWH08	8 ¹⁵ / ₁₆ " [226mm]	8 ¹ / ₄ " [209mm]
CNWH10	10 ¹⁵ / ₁₆ " [277mm]	10 ¹ / ₄ " [260mm]