

## TRANSIT

TRHS01

Transit Handshower On Hook



SHOWN IN TRANSIT HANDSHOWER ON HOOK | TRHS01

### TECHNICAL DETAILS

ADA Compliance: When installed per ADA guidelines  
 Adjustable Versus Fixed Spray: Fixed Spray  
 Depth/Width: 4 1/16"  
 Diameter Of Head: 2 3/16"  
 Escutcheon Primary Material: Brass  
 Fittings Hole Diameter: 1 1/4"  
 Flow Restriction Options: 1.75  
 Handshower Spray Hose Length: 59"  
 Height: 10 5/16"  
 Inlet Connection Size: 1/2"  
 Inlet Connection Type: Female NPT  
 Installation Type: Wall Mounted  
 Integrated Diverter: N  
 Length: 3 3/4"  
 Pivot: N  
 Primary Material: Brass  
 Suggested Application: Bath  
 Water Pressure Maximum: 85.0 psi  
 Water Pressure Minimum: 20.0 psi  
 Water Pressure Recommended: 45.0 psi

### INSPIRATION

Stylish simplicity that fits into any decor. Each design represents a sophisticated mix of modern and traditional influences, streamlined into a sculpted and tapered look.

### CODES & STANDARDS

TRHS01X, TRHS01X, ASME A112.18.1/CSA B125.1, Waterworks Handshowers use check valves compliant to ASME A112.18.3 for backflow protection. State of MA

### PRODUCT FEATURES

2 3/16" Head

Features a Fixed Spray Pattern

Stocked in Chrome, Nickel and Brass

Available in 1.75gpm (6.6L/min) flow rate

### CERTIFICATIONS

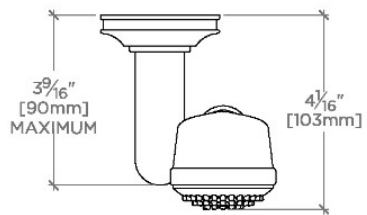


### PRODUCT (NOTES)

## TRANSIT

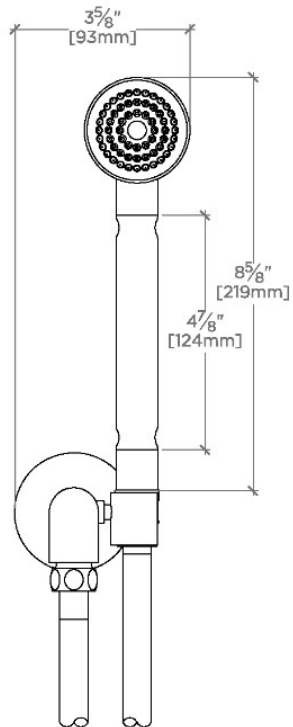
TRHS01

Transit Handshower On Hook



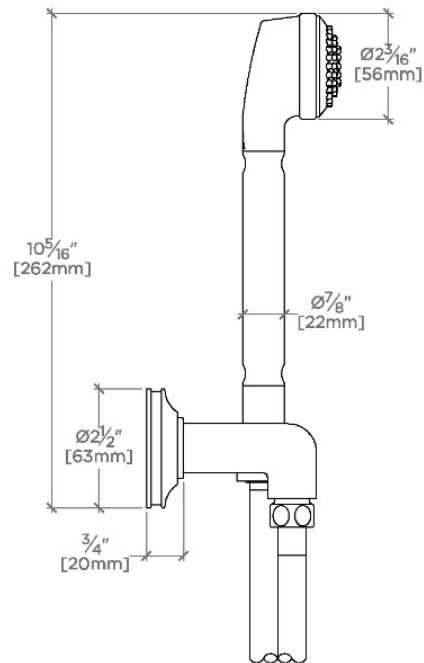
TOP VIEW

SCALE: 3"=1'-0"



FRONT VIEW

SCALE: 3"=1'-0"



SIDE VIEW

SCALE: 3"=1'-0"