

REGULATOR

RGXT61

Regulator Exposed Floor Mounted Tub Filler with Handshower and Lever Handles (Less Unions)



SHOWN IN REGULATOR EXPOSED FLOOR MOUNTED TUB FILLER WITH HANDSHOWER AND LEVER HANDLES (LESS UNIONS) | RGXT61

TECHNICAL DETAILS

ADA Compliance: Yes
 Adjustable Versus Fixed Spray: Fixed
 Depth/Width: 11 13/16"
 Fittings Hole Diameter: 1 3/8"
 Flow Restriction Options: 2.5, 2.0, 1.75, 1.5, 0.92
 Handle Turn Angle: Quarter Turn
 Handshower Spray Hose Length: 59"
 Height: 36"
 Inlet Connection Size: 3/4"
 Inlet Connection Type: Sweat
 Inlet Supply Spread Maximum: 8"
 Inlet Supply Spread Minimum: 8"
 Integrated Diverter: Y
 Integrated Spray: Y
 Length: 12 3/8"
 Primary Material: Brass
 Restricted Maximum Flow Rate: 1.75 gpm
 Suggested Application: Bath
 Water Pressure Maximum: 85.0 psi
 Water Pressure Minimum: 20.0 psi
 Water Pressure Recommended: 45.0 psi

INSPIRATION

A play on industrial controls from the early 1900s, when pride was lavished on parts. Translated to handcrafted, fittings project rugged beauty through powerful, detailed shapes.

CODES & STANDARDS

RGXT61-F.RX, ASME A112.18.1/CSA B125.1, Waterworks Handshowers use check valves compliant to ASME A112.18.3 for backflow protection. CEC, State of MA

PRODUCT FEATURES

- Wheel Handles
- Requires Unions Sold Separately
- Handshower Offers a Fixed Spray Pattern
- Stocked in Nickel and Brass
- Unrestricted Flow for Tub Spout. Handshower Available in 1.75gpm (4.5L/min) Flow Rate

CERTIFICATIONS



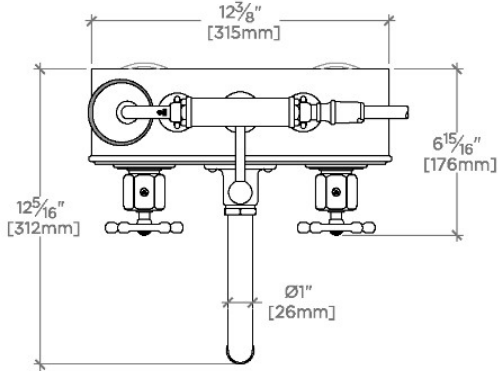
PRODUCT (NOTES)

REGULATOR

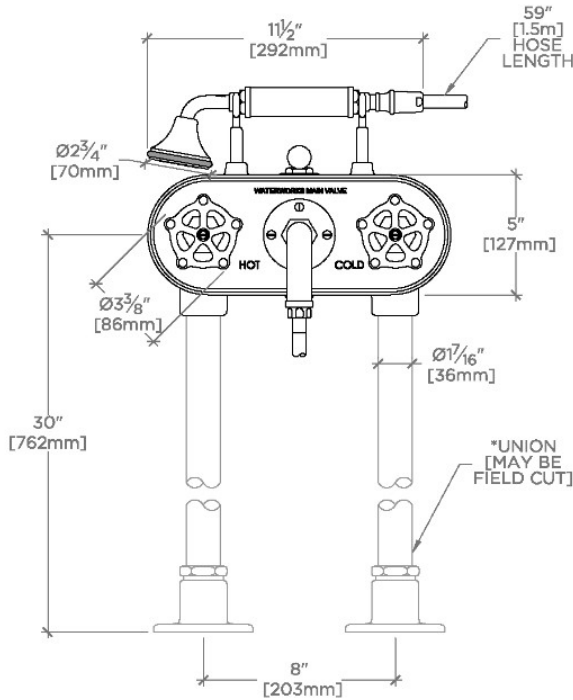
RGXT61

Regulator Exposed Floor Mounted Tub Filler with Handshower and Lever Handles (Less Unions)

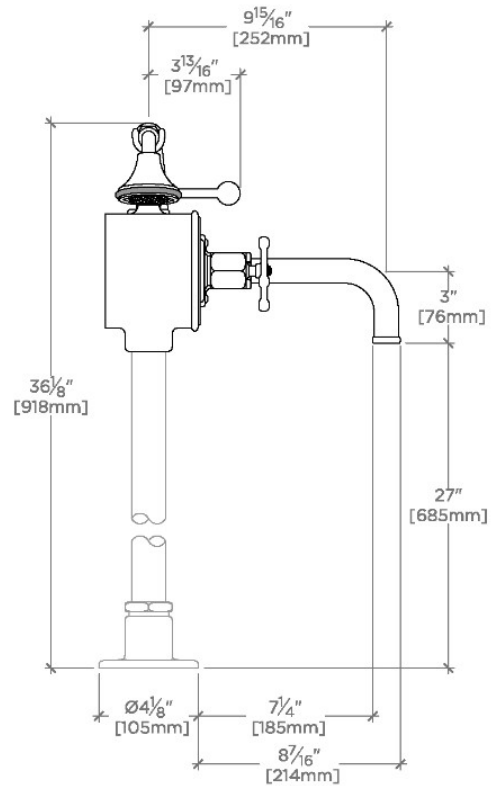
*NOTE: REQUIRED FLOOR UNIONS ARE SOLD SEPARATELY



TOP VIEW SCALE: 1/2"=1'-0"



FRONT VIEW SCALE: 1/2"=1'-0"



SIDE VIEW SCALE: 1/2"=1'-0"