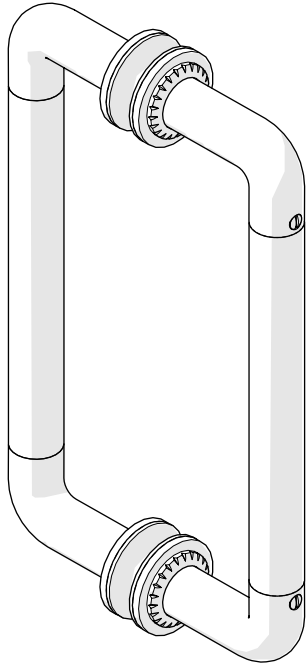


INSTALLATION GUIDELINES

SHOWER DOOR PULL

HENRY CHRONOS 8" BACK TO BACK SHOWER DOOR PULL



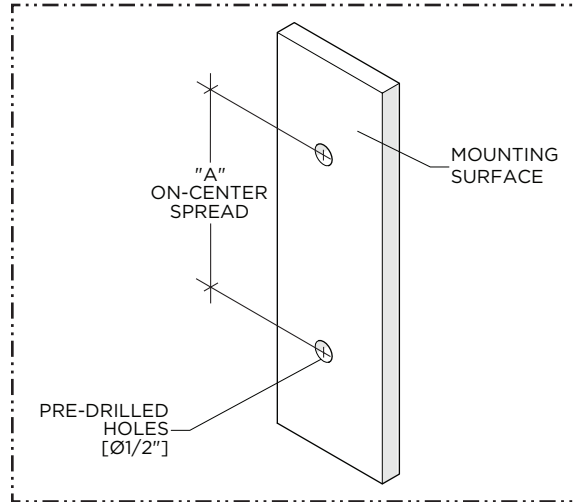
STYLE
CNHW88

IMPORTANT:

- To ensure this product is installed properly, you must read and follow these guidelines.
- The owner/user of this product must keep this information for future reference.
- This product must be installed by a professional licensed contractor.
- Inspect this product to ensure you have all the parts required for proper installation.
- To avoid damaging the product, do NOT use power tools during installation.
- If further assistance is required, please contact Product Support at 1-800-927-2120 Monday through Friday, 8am - 6pm EST.

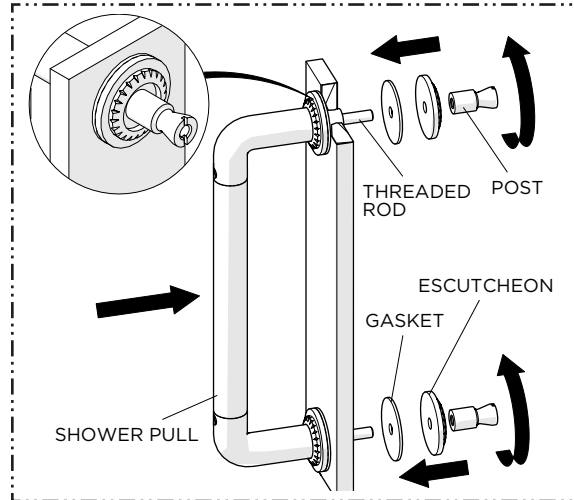
TECHNICAL DETAILS:

DIM	VALUE
A	8" [203mm]



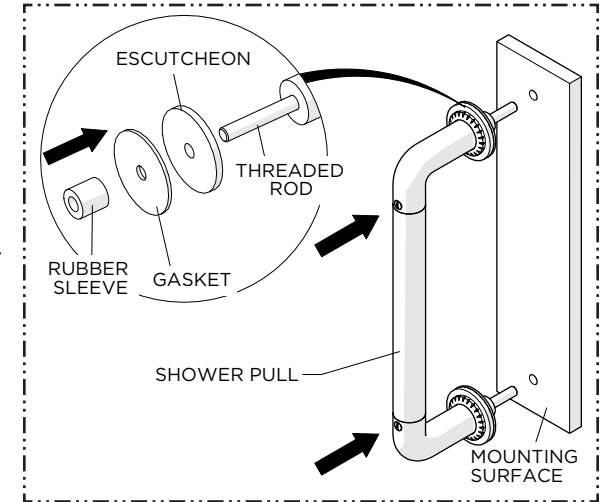
1. Drill two 1/2" diameter holes on the mounting surface at the required on-center spread (DIM A).

NOTE: Ensure the holes are level and verify the oncenter spread (DIM A).

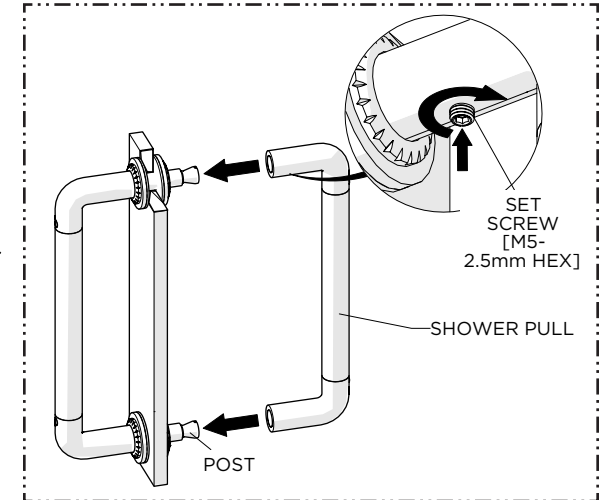


3. Slide the ESCUTCHEONS onto the THREADED RODS then thread and securely tighten the POSTS.

NOTE: The POSTS should securely hold the ESCUTCHEONS against the mounting surface.



2. Pre-assemble the ESCUTCHEONS and RUBBER SLEEVES onto the THREADED RODS on the PULL then insert the RUBBER SLEEVES into the pre-drilled holes.



4. Slide the PULL onto the POSTS until it contacts the ESCUTCHEONS then thread and securely tighten the SET SCREWS.

NOTE: The PULL should be positioned with the SET SCREWS towards the bottom.