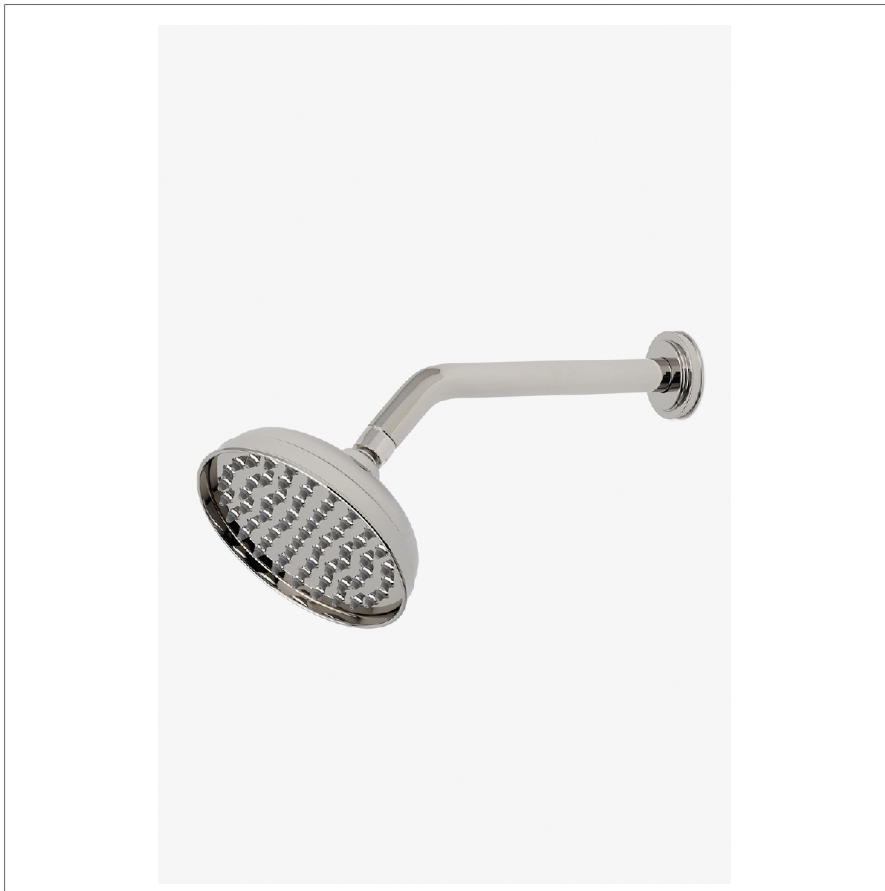


BOULEVARD

BDS166

Boulevard 6" Showerhead with 10" Wall Mounted 45 Degree Shower Arm



SHOWN IN BOULEVARD 6" SHOWERHEAD WITH 10" WALL MOUNTED 45 DEGREE SHOWER ARM | BDS166

TECHNICAL DETAILS

Adjustable Versus Fixed Spray: Fixed
Fittings Hole Diameter: 1 1/4"
Flow Restriction Options: 1.5, 1.75, 2.0
Inlet Connection Size: 1/2"
Inlet Connection Type: Male NPT
Pivot: Y
Primary Material: Brass
Restricted Maximum Flow Rate: 1.75 gpm
Water Pressure Maximum: 85.0 psi
Water Pressure Minimum: 20.0 psi
Water Pressure Recommended: 45.0 psi

INSPIRATION

Inspiration from 1930s objects evokes extravagance: a strong silhouette, lavish scale and elegant decoration. Machine and artisan hands yield crisp details and curves.

CODES & STANDARDS

BDS166X, ASME A112.18.1/CSA B125.1, CEC(1.5GPM & 1.75GPM Only), WaterSense(1.5GPM, 1.75GPM & 2.0GPM Only), DOE, State of MA

PRODUCT FEATURES

Made of Brass

Features a swivel 6" showerhead with easy clean rubber nozzles

Includes a 10" wall mounted 45 degree shower arm

Stocked in Brass, Chrome, Nickel and Matte Nickel

Showerhead available in 1.75gpm (6.6L/min) flow rate

CERTIFICATIONS



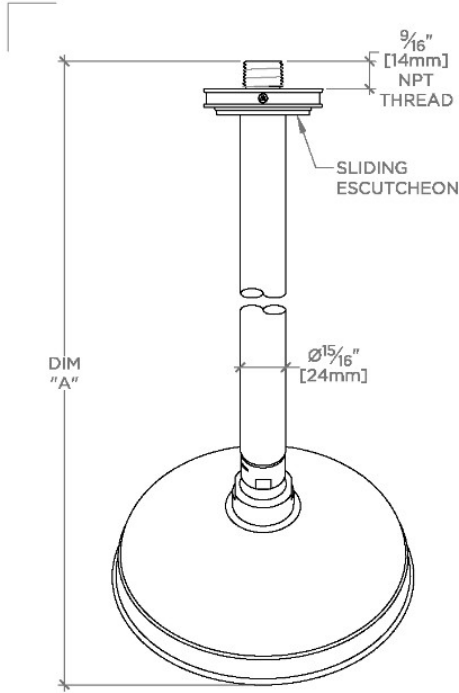
PRODUCT (NOTES)

WATERWORKS

BOULEVARD

BDS166

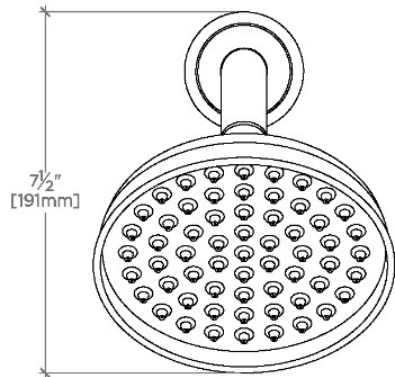
Boulevard 6" Showerhead with 10" Wall Mounted 45 Degree Shower Arm



TOP VIEW

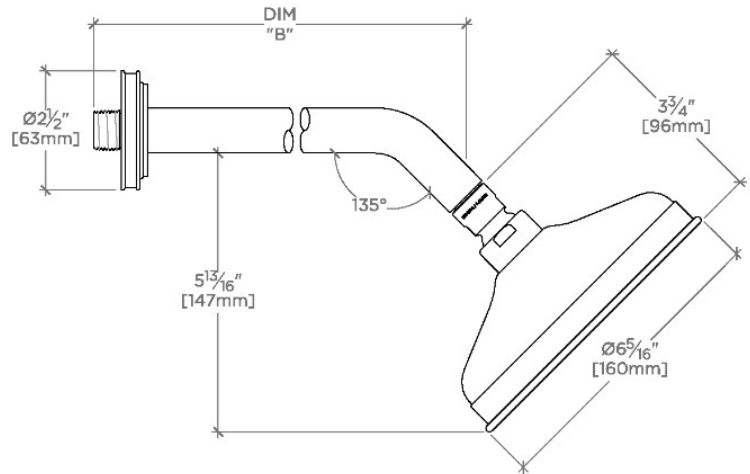
SCALE: 3"=1'-0"

STYLE NO.	DIM "A"	DIM "B"
BDS165	13 3/8" [334mm]	8 1/4" [209mm]
BDS166	15 5/8" [384mm]	10 1/4" [260mm]



FRONT VIEW

SCALE: 3"=1'-0"



SIDE VIEW

SCALE: 3"=1'-0"