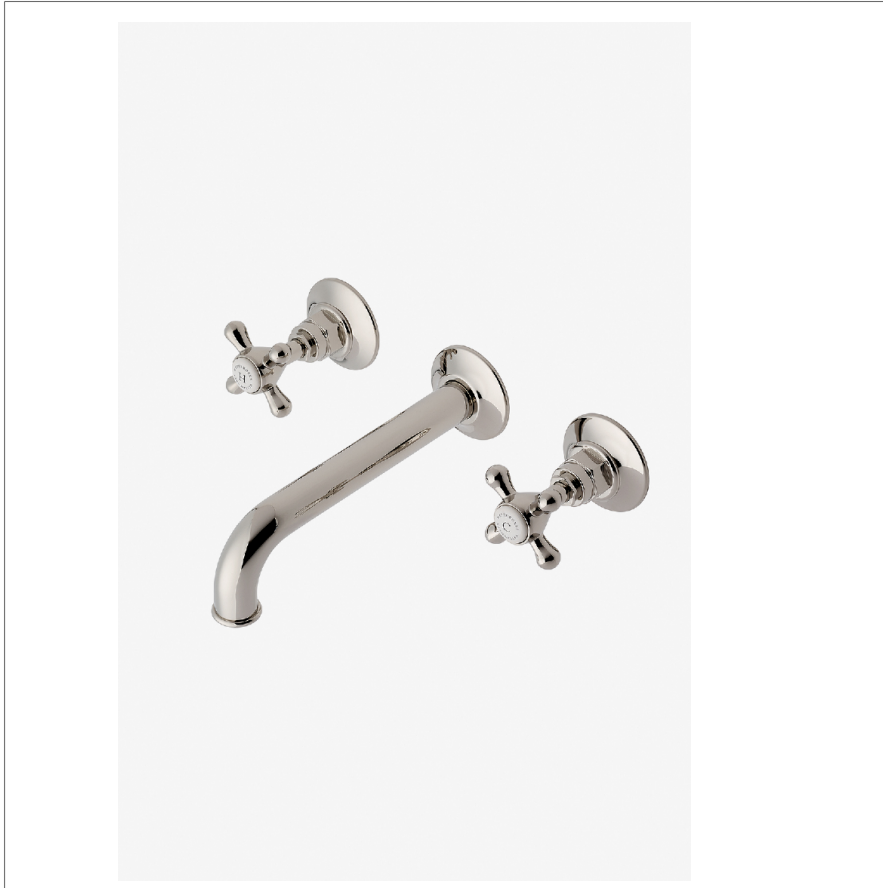


Highgate

HGLS60

Highgate Wall Mounted Lavatory Faucet with Cross Handles



SHOWN IN HIGHGATE WALL MOUNTED LAVATORY FAUCET WITH CROSS HANDLES | HGLS60

TECHNICAL DETAILS

ADA Compliance: Yes
 Drain Assembly Materials: Brass
 Drain Depth Maximum: 51 mm
 Drain Depth Minimum: 38 mm
 Drain Style: USA Lift & Turn
 Escutcheon Primary Material: Brass
 Fittings Hole Diameter: 35 mm
 Flow Restriction Options: 1.0 , 1.2 , 1.5 , 1.75, 2.2
 Handle Spread Maximum: 203 mm
 Handle Spread Minimum: 203 mm
 Handle Turn Angle: Quarter Turn
 Height: 76 mm
 Inlet Connection Size: 1/2"
 Inlet Connection Type: Female NPT
 Inlet Supply Spread Maximum: 203 mm
 Inlet Supply Spread Minimum: 203 mm
 Length: 264 mm
 Number Of Holes: Three Hole
 Primary Material: Brass
 Restricted Maximum Flow Rate: 4.5 liters/min
 Valve Material: Brass, Ceramic
 Water Pressure Maximum: 5.5 bar
 Water Pressure Minimum: 1.5 bar
 Water Pressure Recommended: 3.0 bar

INSPIRATION

Our take on old English style: simple, functional shapes, detailed with white porcelain indices and hexagonal accents for a timeless feel.

CODES & STANDARDS

NSF/ANSI/CAN 61:Q < 1, CEC

PRODUCT FEATURES

Cross Handles

Includes Universal Lift and Turn Drain (UNLD30) which fits 1-1/2" through 1-3/4" drain hole openings

Requires rough valve, sold separately: GULV27 (US), GU27LV (UK)

Stocked in Chrome, Nickel and Brass

Available in 1.2gpm (4.5L/min) flow rate

CERTIFICATIONS

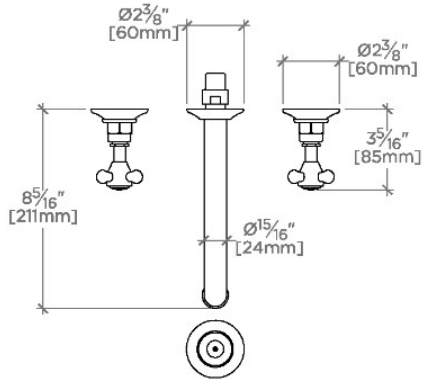


PRODUCT (NOTES)

Highgate

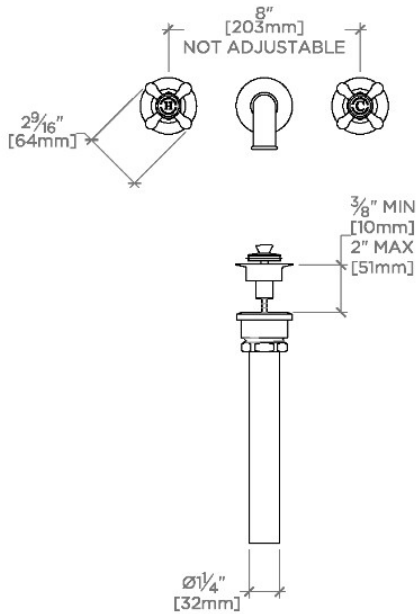
HGSL60

Highgate Wall Mounted Lavatory Faucet with Cross Handles



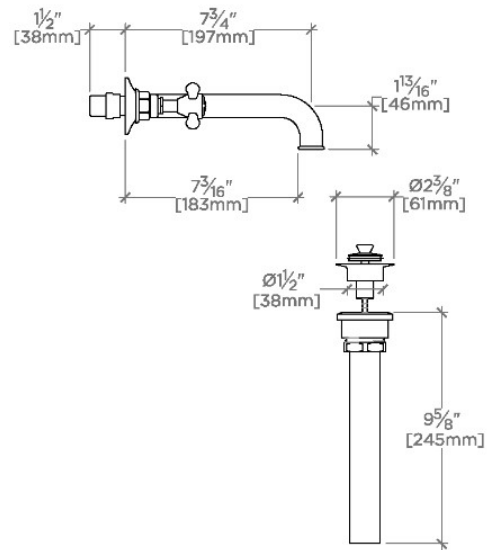
TOP VIEW

SCALE: 1/2"=1'-0"



FRONT VIEW

SCALE: 1/2"=1'-0"



SIDE VIEW

SCALE: 1/2"=1'-0"