

## FORMWORK

## FMPB30

Formwork Pressure Balance with Diverter Trim with Metal Lever Handle



SHOWN IN FORMWORK PRESSURE BALANCE WITH DIVERTER TRIM WITH METAL LEVER HANDLE| FMPB30

### TECHNICAL DETAILS

Adjustable Shelves: N  
Control Valve Rough-in Depth Maximum: 67 mm  
Control Valve Rough-in Depth Minimum: 57 mm  
Diverter Valve Rough-in Depth Maximum: 86 mm  
Diverter Valve Rough-in Depth Minimum: 76 mm  
Fittings Hole Diameter: 89 mm  
Depth / Width: 89 mm  
Height: 140 mm  
Integrated Diverter: Y  
Integrated Spray: N  
Length: 140 mm  
Number of Handles: One  
Pivot: N  
Primary Material: Brass  
Spout Swivel: N  
Spray Included in Unit: N  
Suggested Application: Bath

### INSPIRATION

Sculptural forms that defy the ordinary. Unexpected geometry and the transition of the planes create a subtle but warm expression.

### CODES & STANDARDS

Code # FMPB30X: Certified with cUPC, NSF, IAPMO, CSA

### PRODUCT FEATURES

Lever Handle  
Adjust the single handle control to switch water on and adjust temperature  
Features Diverter for tub spout  
Requires valve rough GUPB87(US) or GU87PB(UK)sold separately.

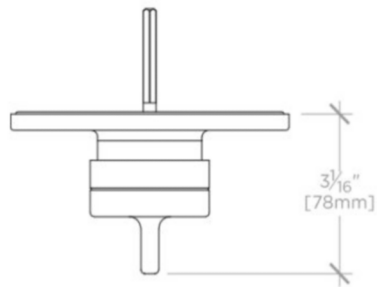
### CERTIFICATIONS



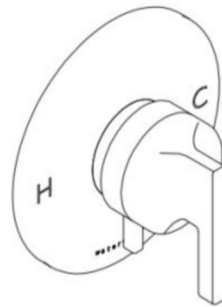
FORMWORK

FMPB30

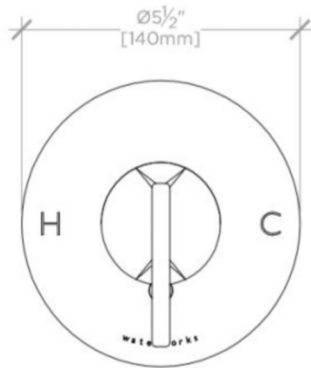
Formwork Pressure Balance with Diverter Trim with Metal Lever Handle



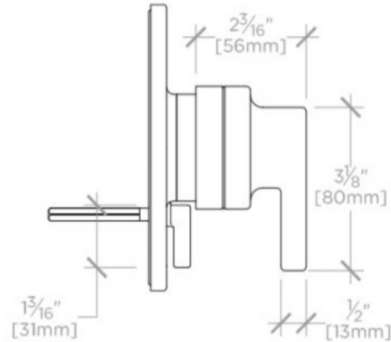
TOP VIEW SCALE: 3"=1'-0"



ISO VIEW SCALE: 3"=1'-0"



FRONT VIEW SCALE: 3"=1'-0"



SIDE VIEW SCALE: 3"=1'-0"