

## Henry

HTF112

Henry Concealed Tub Filler with Handshower and Two Tone Lever Handles



SHOWN IN HENRY CONCEALED TUB FILLER WITH HANDSHOWER AND TWO TONE LEVER HANDLES | HTF112

### TECHNICAL DETAILS

ADA Compliance: No  
 Deck Thickness Maximum: 54 mm  
 Deck Thickness Minimum: 13 mm  
 Fittings Hole Diameter: 35 mm  
 Handle Spread Minimum: 203 mm  
 Handle Turn Angle: Quarter Turn  
 Handshower Spray Hose Length: 1.5 m  
 Inlet Connection Size: 3/4"  
 Inlet Connection Type: Male NPT  
 Integrated Diverter: Y  
 Number Of Holes: Four Hole  
 Primary Material: Brass  
 Restricted Maximum Flow Rate: 6.6 liters/min  
 Valve Material: Brass and Ceramic  
 Water Pressure Maximum: 6.0 bar  
 Water Pressure Minimum: 1.5 bar  
 Water Pressure Recommended: 3.0 bar

### INSPIRATION

Celebrating the connection of industry and art, Henry transitions effortlessly between modern, traditional, and classic settings. These iconic fittings blend 19th-century industrial and artistic references for a look that's forever of the moment—familiar yet wholly original.

### CODES & STANDARDS

HTF112-F.RX, ASME A112.18.1/CSA B125.1, CEC(1.5GPM & 1.75GPM Only), WaterSense(1.5GPM & 1.75GPM Only), DOE, State of MA, NOM-008, NOM-012

### PRODUCT FEATURES

- Two-Tone Lever Handles
- Solid Brass Construction
- Diverter Knob Allows Bather to Move Water From Spout to Handshower
- Stocked in Nickel/Dark Nickel and Brass/Dark Nickel
- Unrestricted Flow for Tub Spout. Handshower Available in 1.75gpm (6.6L/min) Flow Rate

### CERTIFICATIONS

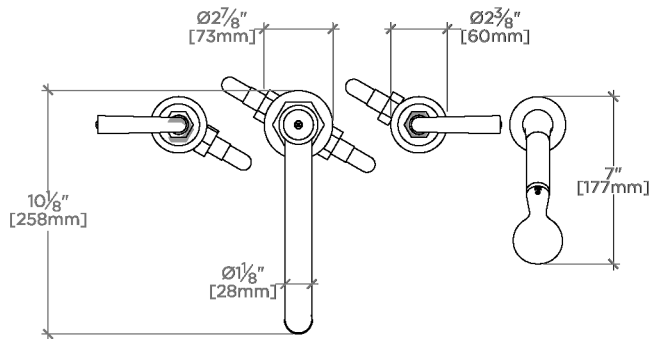


### PRODUCT (NOTES)

## Henry

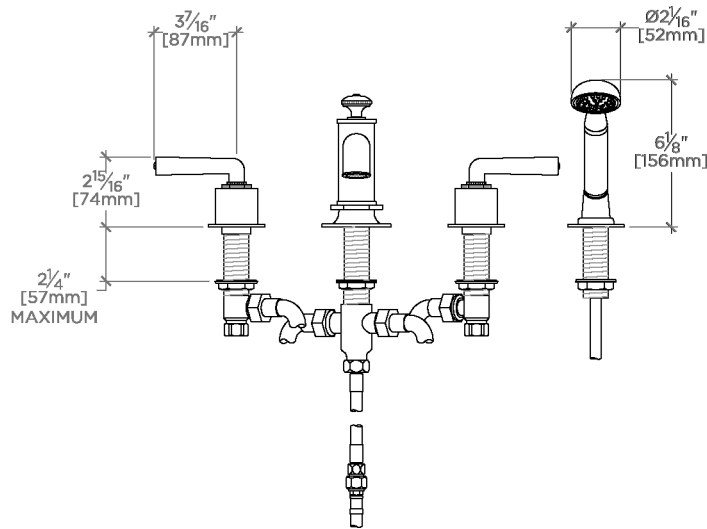
HTF112

Henry Concealed Tub Filler with Handshower and Two Tone Lever Handles



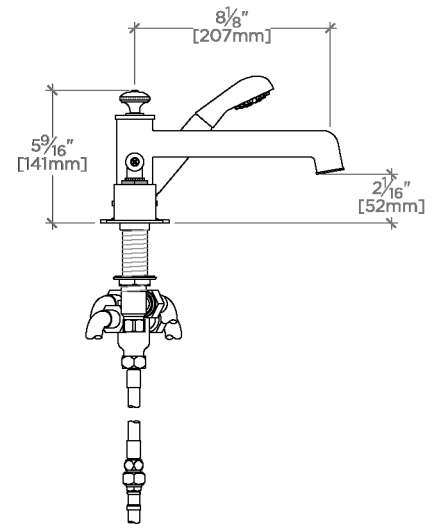
TOP VIEW

SCALE: 1 1/2" = 1'-0"



FRONT VIEW

SCALE: 1 1/2" = 1'-0"



SIDE VIEW

SCALE: 1 1/2" = 1'-0"