

Minna

MIBT70

Minna 60" x 30" x 20" Rectangular Cast Iron Bathtub



SHOWN IN MINNA 60" X 30" X 20" RECTANGULAR CAST IRON BATHTUB | MIBT70

TECHNICAL DETAILS

ADA Compliance: No
Assembly Configuration: One Piece
Bathing Type: Bathing and Soaking
Depth To Overflow: 364 mm
Depth/Width: 762 mm
Drain Hole Diameter: 52 mm
Drilling Option: Fittings Drilling
Fitting Hole Configuration Number: None
Height: 508 mm
Installation Type: Undermount
Item Weight Filled: 346.544288 kg
Length: 1524 mm
Material Wall Thickness: 10 mm
Overflow Hole Diameter: 52 mm
Primary Material: Cast Iron
Single Or Double Ended: Single Ended
Suggested Application: Bath

INSPIRATION

The Minna cast iron bathtub was designed by Waterworks with comfort and space in mind. The ergonomic shape invites bathers to relax and soak while the foot print of the bathtub provides a comfortable area in which to maneuver while showering.

CODES & STANDARDS

Code # WWBT70: State of MA

PRODUCT FEATURES

The Minna tub is a simple, rectangular cast iron bathing vessel with a flat deck for drop in or undermount installations.

This five foot bathtub fits most bathroom floor plans allowing for versatile applications.

This product can also be used with the Minna Bathtub Feet Set of Four(MIBT71).

Available with optional Slip Resistant interior surface which provides additional built-in safety without the use of a mat.

CERTIFICATIONS

Dimensions of fixtures are nominal. Measure your actual
PRODUCT (NOTES) rails.

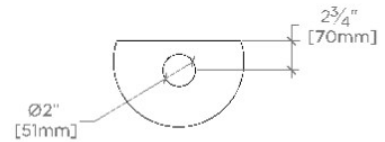
WATERWORKS

Minna

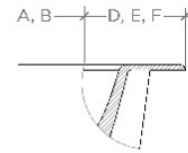
MIBT70

Minna 60" x 30" x 20" Rectangular Cast Iron Bathtub

Dimensional Tolerance	
> 7 ⁷ / ₈ " [200mm]	± 0.8%
< 7 ⁷ / ₈ " [200mm]	± 1.8%

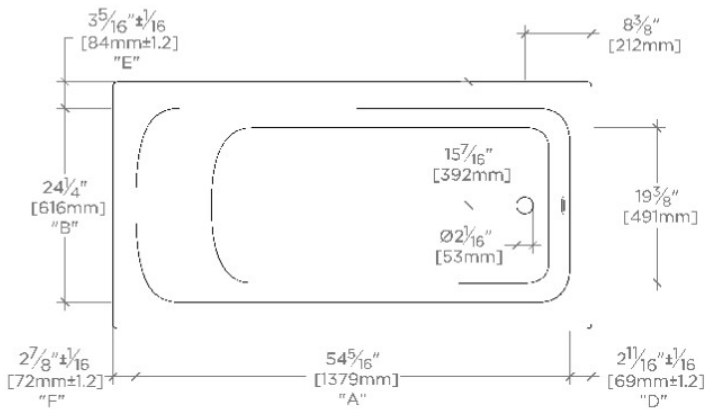


OVERFLOW DETAIL DO NOT SCALE

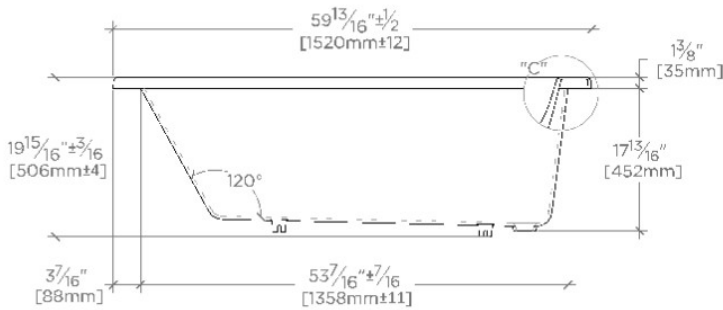


BATHING WELL (A,B) AND RIM (D,E,F) DIMENSIONS ARE TO THE TOP OF RADIUS AS SHOWN.

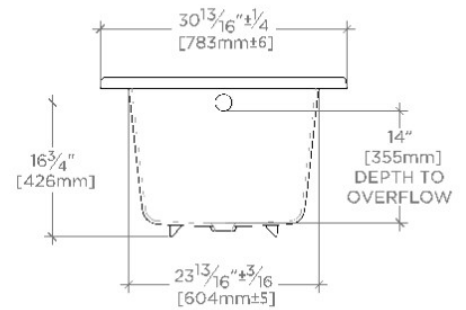
DETAIL "C" DO NOT SCALE



TOP VIEW SCALE: 1/2"=1'-0"



SIDE VIEW SCALE: 1/2"=1'-0"



END VIEW SCALE: 1/2"=1'-0"